

SC10 4x4

SHORT COURSE



#90004 SC10 4X4 Kit



1:10 Scale Electric 4WD Off Road Race Truck Kit Manual & Catalog 3/11

TEAM ASSOCIATED



Designed in California, USA

:: Introduction

Thank you for purchasing this Team Associated product. This assembly manual contains instructions and tips for building and maintaining your new SC10 4x4. Please take a moment to read through this manual to help familiarize yourself with these steps.

We are continually changing and improving our designs; therefore, actual parts may appear slightly different than in the illustrations. New parts will be noted on supplementary sheets located in the appropriate parts bags. Check each bag for these sheets before you start to build.

:: KIT Features

Team Associated, the only RC car company with 24 World Championships is proud to present the SC10 4x4!

Starting with a clean sheet of paper, Team Associated's Area 51 design engineers have created the ultimate four-wheel drive short-course racer, the SC10 4x4.

Its composite modular chassis design with sealed receiver box and removable ESC tray, combined with innovative features such as 13mm big bore shocks, a decoupled slipper clutch, and a hybrid belt/gear drive system, make the SC10 4x4 unlike any other short-course truck on the planet. In addition to these unique features, a long list of competition-proven components create an extremely high performance and durable state-of-the-art race truck.

It's not often a new platform is introduced that redefines a class. The engineers of Area 51 seized the opportunity to create the next legendary vehicle. Once you build and drive the SC10 4x4 for yourself, we think you will agree - this is the 4x4 short course race truck that you have been waiting for!

The SC10 4x4 kit is exactly what you have come to expect from Team Associated - one more Champion by Design.

Features in the SC10 4x4 Kit:

- Unique dual gearbox drive train coupled together with a 5mm HD belt system with external tension adjustment.
- 32 pitch front and rear gearboxes with sealed fluid filled differentials.
- Decoupled center slipper clutch allows for front and rear wheel drive to slip independently, resulting in more traction and stability on bumpy track conditions.
- CVAs with captured drive pins and heavy duty 6mm alloy axles.
- 12mm hex drive KMC replica wheels front and rear with aggressive short course racing tires.
- Championship short course racing body (clear), with Team Associated decal sheet.
- 13mm blue aluminum big-bore threaded shocks with low friction X-ring seals.
- Composite modular tub chassis with Low-CG and Low Polar Moment design.
- Enclosed water-resistant receiver box, and removable ESC tray for easy clean up and maintenance.
- Ball bearing steering system with adjustable steering stops.
- All metric hardware and ball bearings throughout.
- Designed for maximum durability and performance.

:: Required to complete your SC10 4X4 Kit:

- R/C 2-channel surface frequency radio system
- Battery pack (6 cell NiMh or 2 cell LiPo)
- Battery charger (peak detection charger recommended)
- Electronic speed control
- R/C electric motor (550 sized recommended)
- Pinion gear - (32 pitch or 48 pitch) - depending on motor type
- Tire Glue
- Paint for body
- Steering servo * Some servos may require a wire extension!

:: Other Helpful Items

- | | | | |
|---|---------------------------------|---|----------------|
| • Silicone Shock Fluid (Refer to catalog for complete listings) | • Reamer / Hole Punch | • Soldering Iron | • Hobby Knife |
| • Body Scissors (AE Part # 1737) | • Needle Nose Pliers | • Multi Tool (AE Part #7494) | • Wire Cutters |
| • FT Hex Wrenches (AE Part # 1541) | • Calipers or a Precision Ruler | • Green Slime shock lube (AE Part # 1105) | |
| • FT Nut Drivers (AE Part #1561) | | | |

Associated Electrics, Inc.
26021 Commercentre Dr.
Lake Forest, CA 92630



Customer Service
Tel: 949.544.7500
Fax: 949.544.7501

:: Table of Contents

1.....Cover	37-38.....Rear Bumper Assembly
2.....Introduction	38-39.....Tire Assembly
3.....Table of Contents	39-40.....Body Installation
4-7.....Servo Install and Steering Assembly	41-43.....Tuning Tips
8-9.....Differentials Assembly	44-54.....Catalog
9-11.....Front Gearbox Assembly	55.....Contact Info
12-13.....Rear Gearbox Assembly	56-57.....Notes
14.....Front Shock Tower Assembly	68.....Setup Sheet "Blank"
15.....Rear Shock Tower Assembly	59.....Setup Sheet "Kit Setup"
16-19.....Front Suspension Assembly	60.....1:1 Hardware "Fold Out"
19-21.....Rear Suspension Assembly	61.....Setup Sheet "Blank"
21-23.....Shocks Assembly	62.....Back Cover
23-26.....Chassis Assembly	
26-28.....Belt, Belt Tensioners, Spur Gear & Covers Assembly	
29-35.....Electronics Installation	
36.....Front Bumper Assembly	

:: Notes



This symbol indicates a special note or instruction in the manual.



There is a 1:1 hardware foldout page in the back of the manual. To check the size of a part, line up your hardware with the correct drawing until you find the exact size. Each part in the foldout has a number assigned to it for ordering replacement parts.

Associated Electrics, Inc.
26021 Commercentre Dr.
Lake Forest, CA 92630



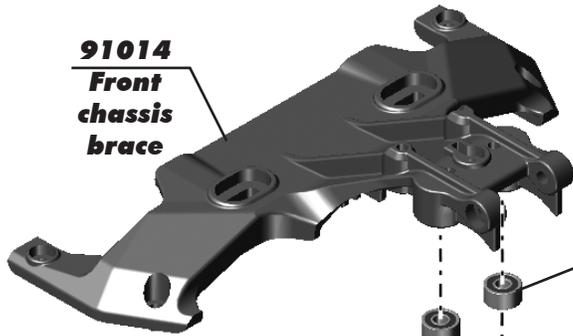
Customer Service
Tel: 949.544.7500
Fax: 949.544.7501

<http://www.TeamAssociated.com> • <http://www.RC10.com> • http://twitter.com/Team_Associated • <http://bit.ly/AEonFacebook>

:: Servo Install

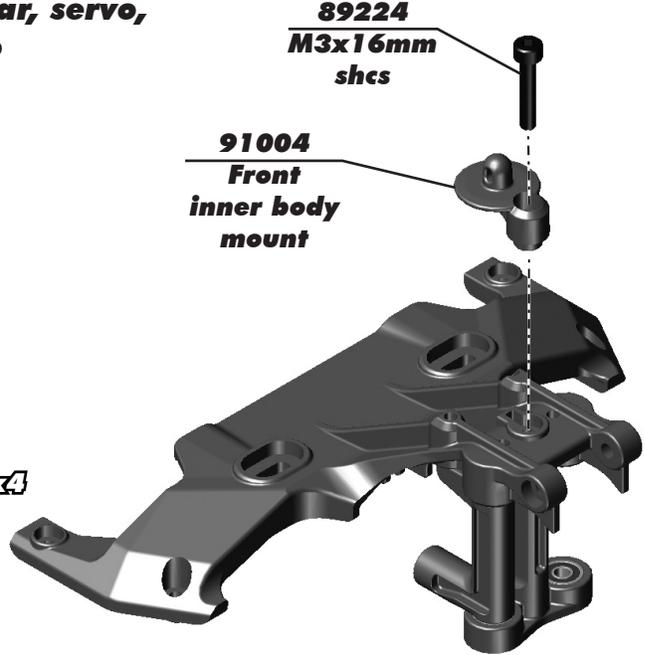


You will need to have your radio gear, servo, and a charged battery ready to go servo installation steps!



91014
Front chassis brace

91002 $\Sigma 4$
3x8x4 steering bearings



89224
M3x16mm shcs

91004
Front inner body mount

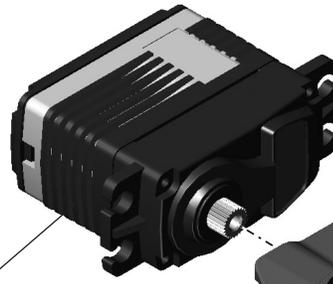


Install the servo alignment tool in order to correctly center your servo!

91000
Servo alignment tool

91001
Steering bellcrank pin

91000
Steering bellcrank support



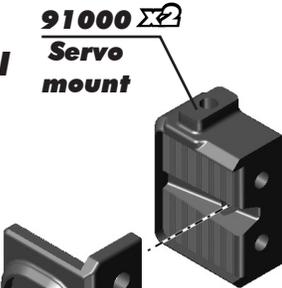
Servo not included!

:: Servo Install (cont.)



Loosely install the #25620 shcs

25620 $\Sigma 2$
M3x10mm shcs

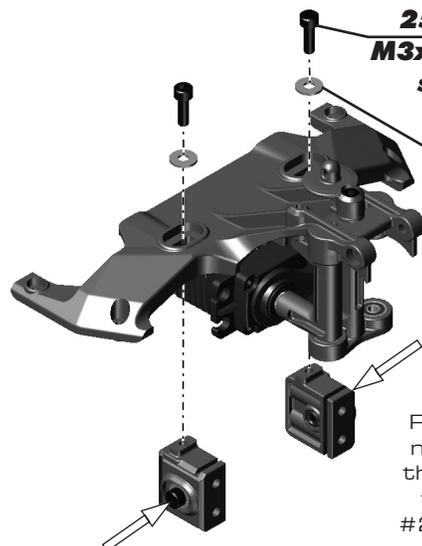


91000 $\Sigma 2$
Servo mount

Right 91000 $\Sigma 2$
Servo mount slider

Left

25215 $\Sigma 2$
M3 locknut (black)



25620 $\Sigma 2$
M3x10mm shcs

89218 $\Sigma 2$
3x8mm washer

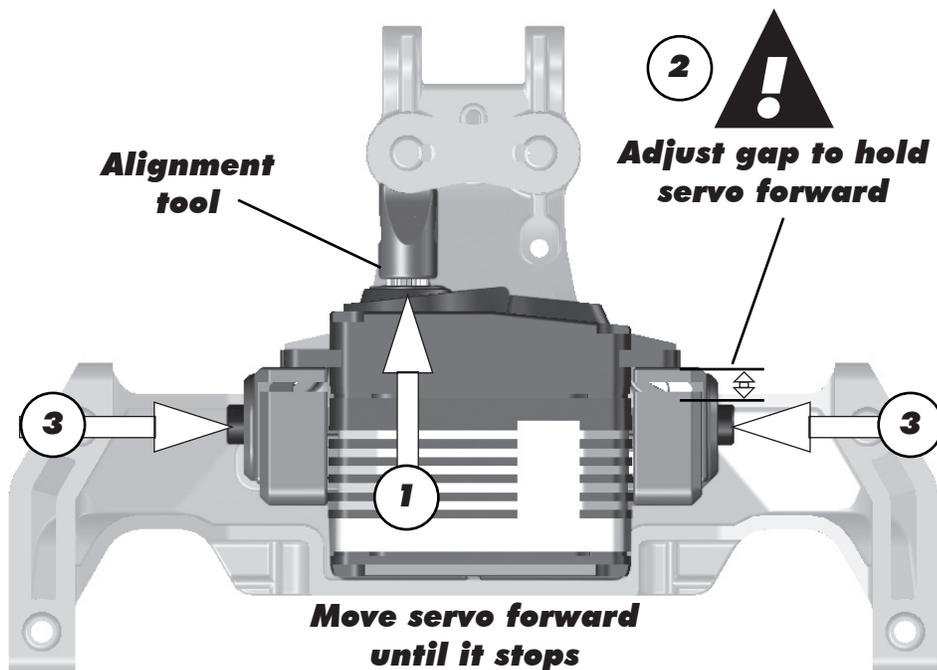


Pinch the Servo mounts against the servo before tightening the #25620 screws.

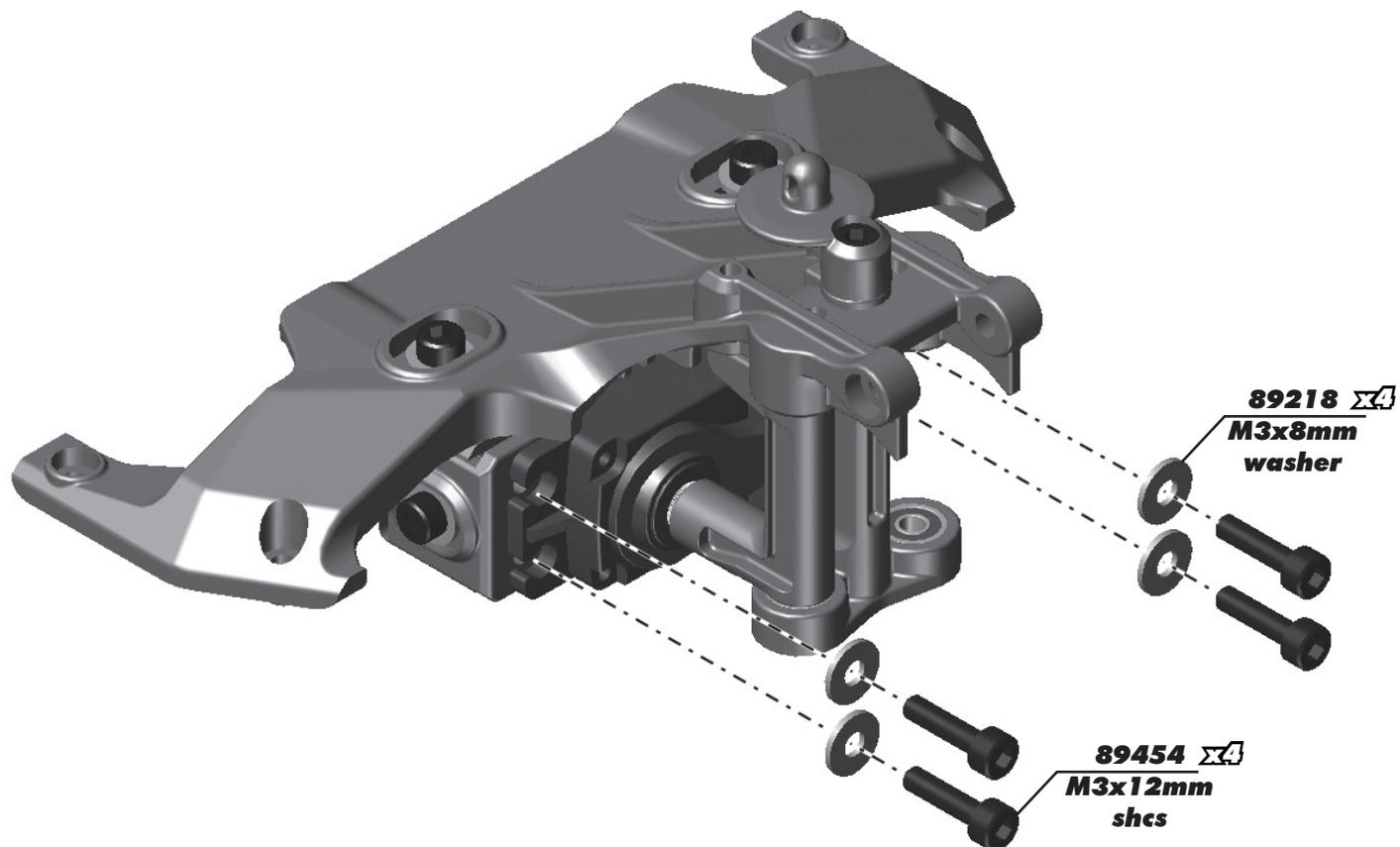
:: Servo Install (cont.)



1. Push the servo forward into the alignment tool.
2. Adjust the servo sliders forward to bolt the servo into place.
3. Tighten the slider screws from the side.



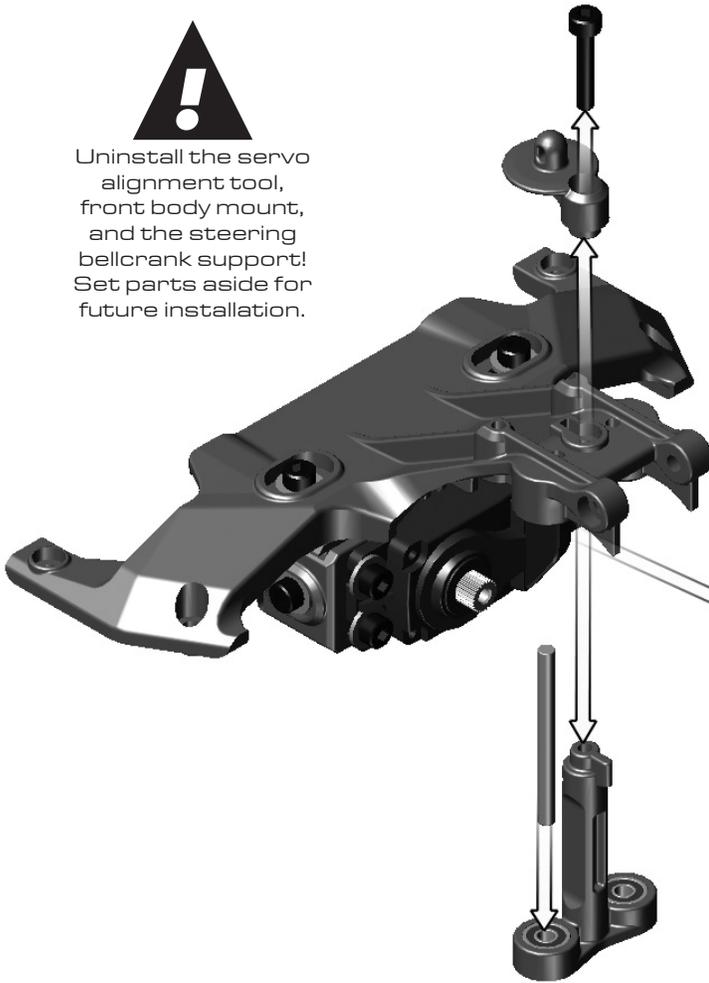
:: Servo Install (cont.)



:: Servo Install (cont.)



Uninstall the servo alignment tool, front body mount, and the steering bellcrank support! Set parts aside for future installation.



91003
Servo
horn

91047
6mm
HD ballstud

91003
Servo
horn
ring

91000
Steering
link



There are multiple servo horns included in your kit. Make sure you install the correct one for your brand servo!



A = JR
Airtronics
Sanwa
F = Futaba
H = Hitec

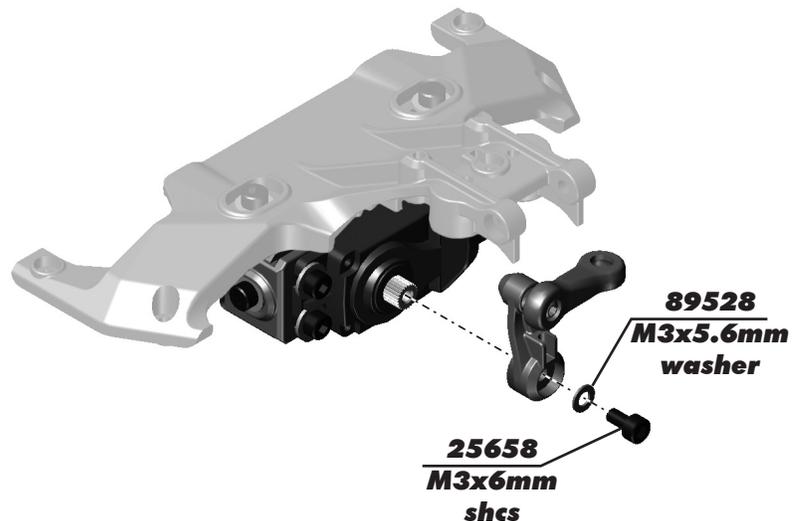


Flex the servo alignment tool in order to remove!

:: Servo Install (cont.)



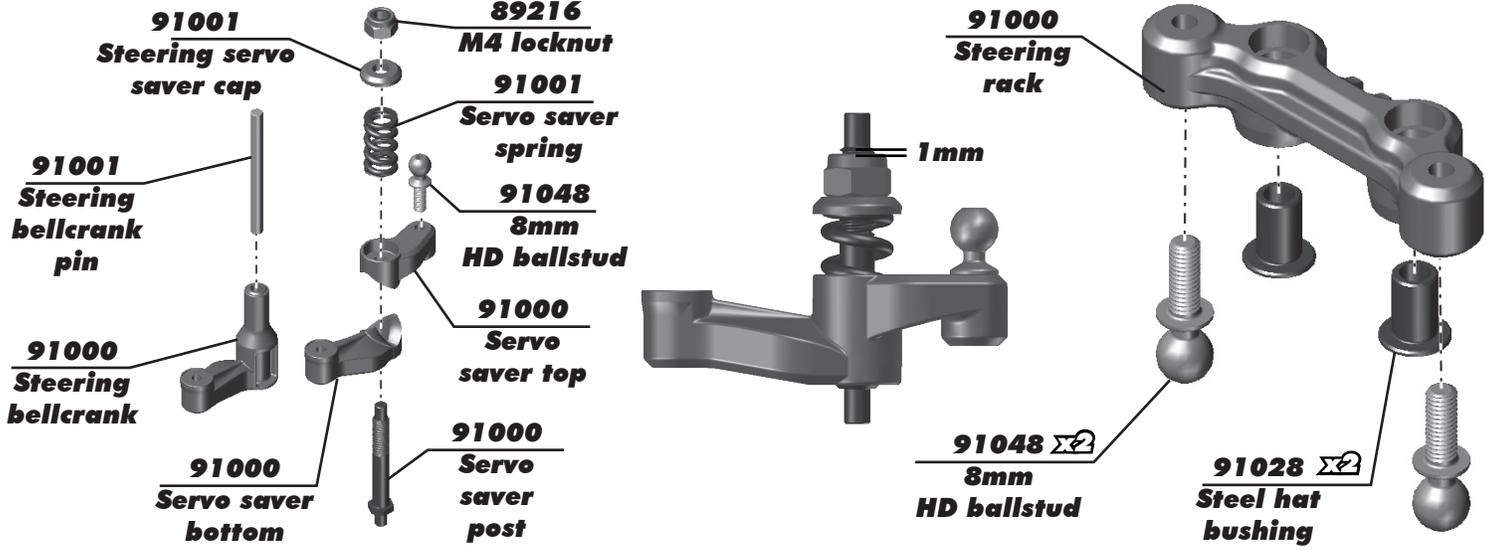
Power on your radio, and center your servo before installing the servo horn!



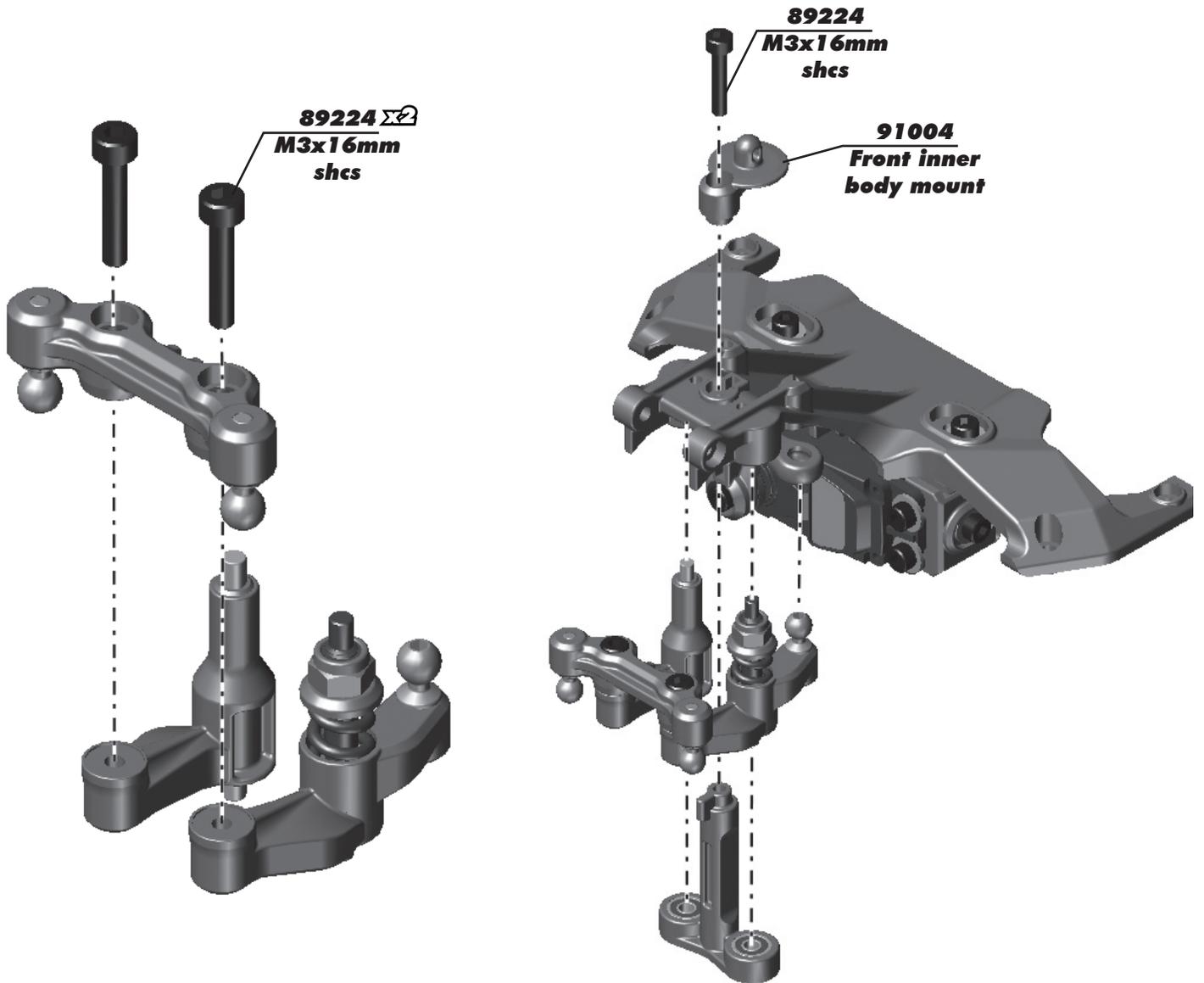
89528
M3x5.6mm
washer

25658
M3x6mm
shcs

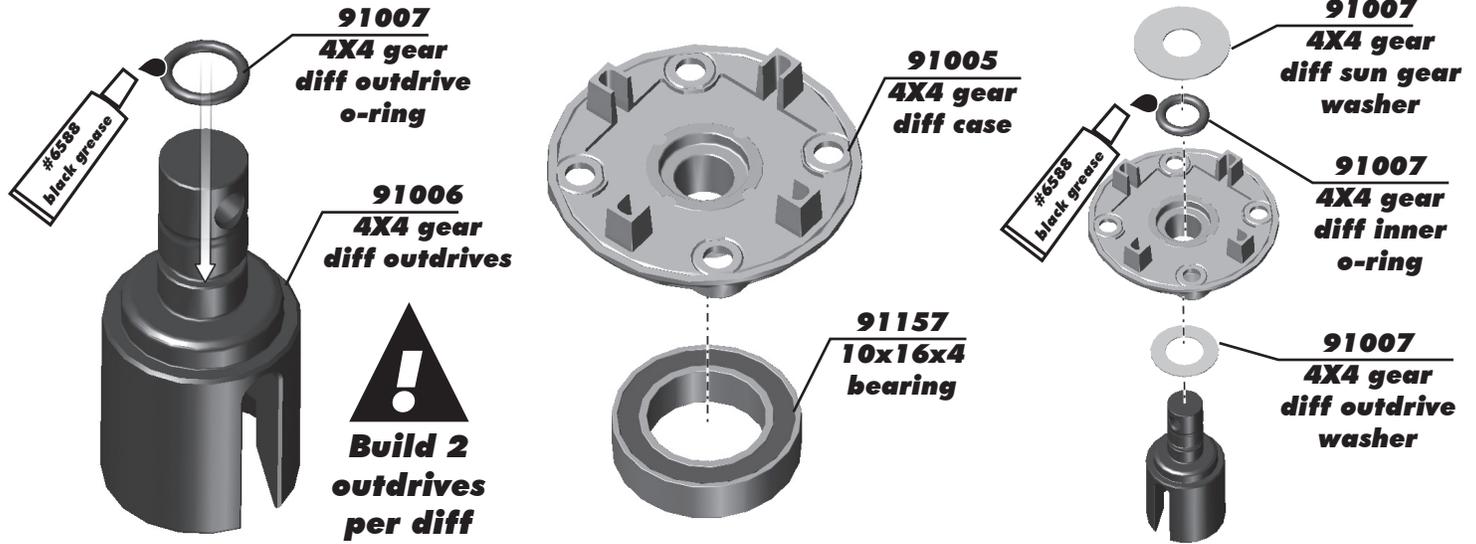
:: Steering Assembly



:: Steering Assembly (cont.)



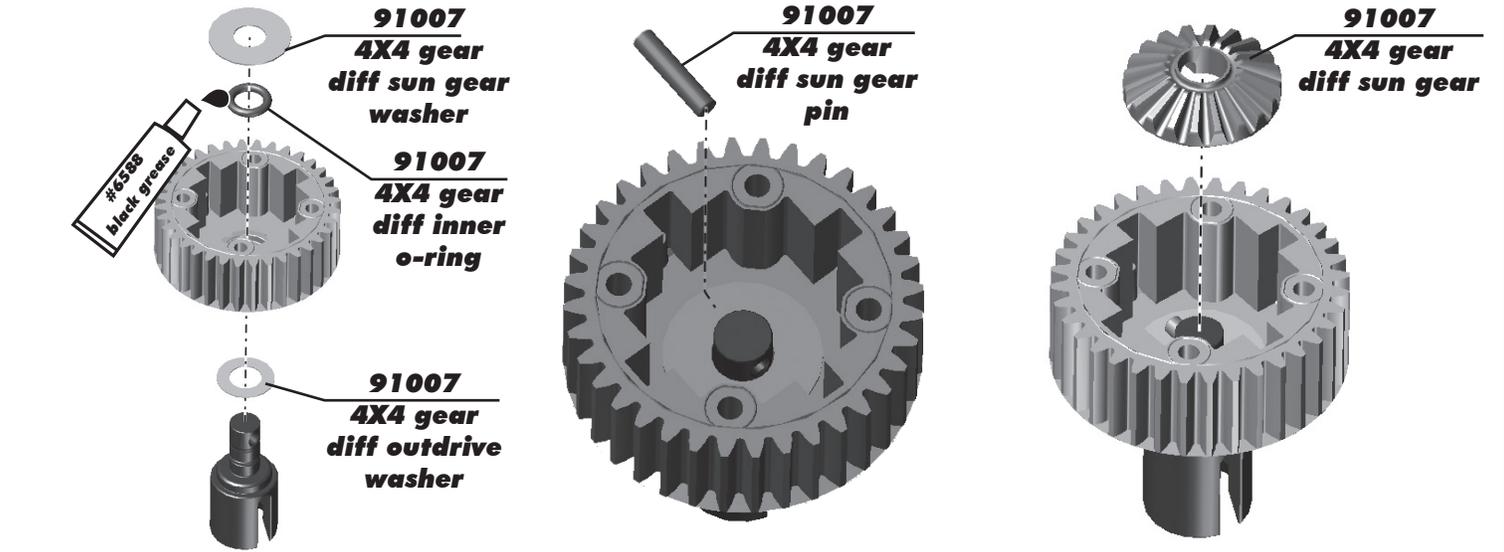
:: Differential Assembly



:: Differential Assembly (cont.)



:: Differential Assembly (cont.)



:: Differential Assembly (cont.)

91007 $\Sigma 2$
4X4 diff cross pin

91007 $\Sigma 4$
4X4 diff planet gear washer

91007 $\Sigma 4$
4X4 diff planet gear

4675 $\Sigma 4$
M2.5x6mm fhcs

91005
4X4 gear diff seal

5452
3000cst
diff fluid

Align the notches in the cross pins!

Fill to top of the cross pins!

Ensure free rotation of outdrives!

Build 2 differentials

:: Front Gearbox Assembly

91009
4X4 front gearbox

25238
6x12x4 bearing

25238
6x12x4 bearing

91009
4X4 front gearbox

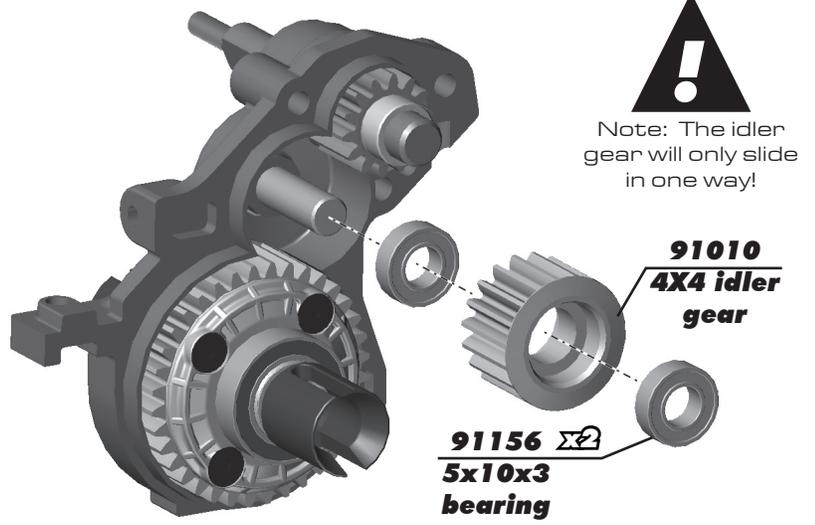
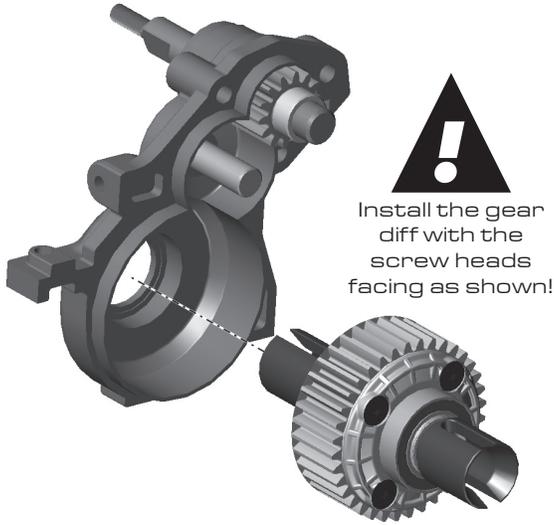
:: Front Gearbox Assembly (cont.)

91012
4X4 top shaft (front)

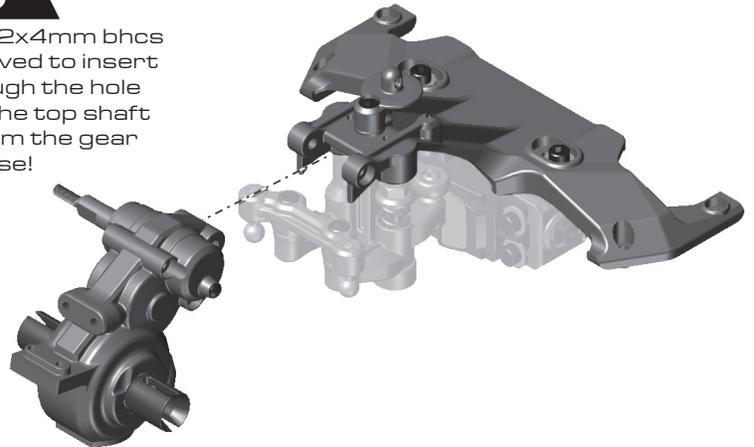
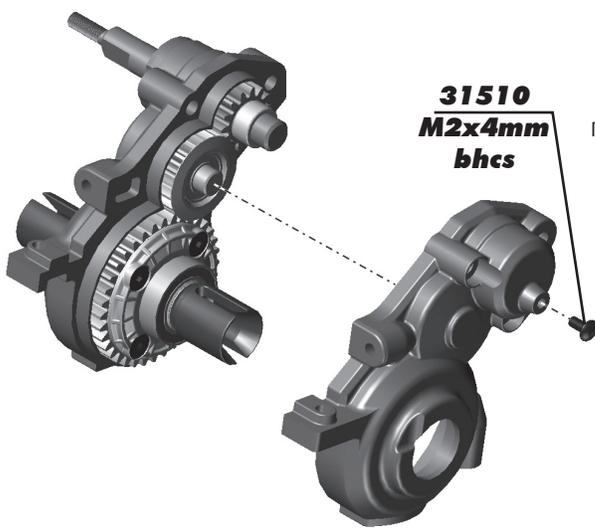
91017 $\Sigma 2$
4X4 top shaft spacer

91011
4X4 idler gear shaft

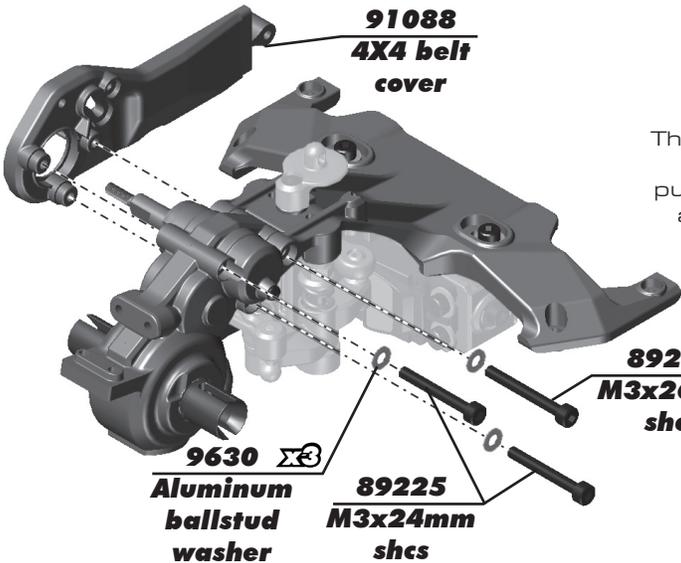
:: Front Gearbox Assembly (cont.)



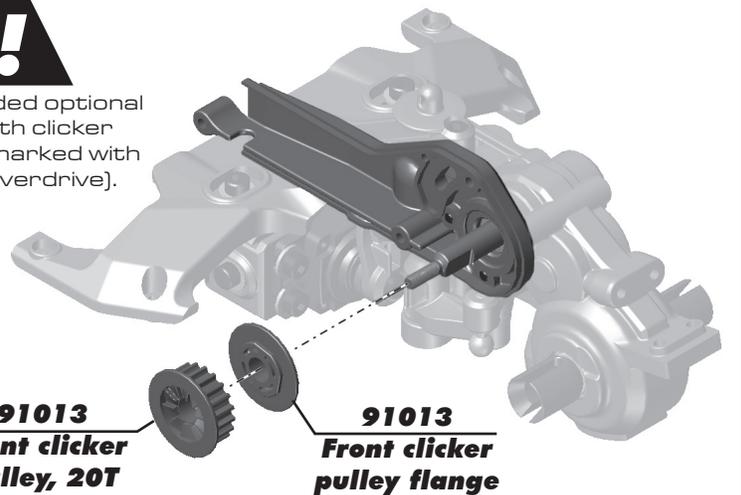
:: Front Gearbox Assembly (cont.)



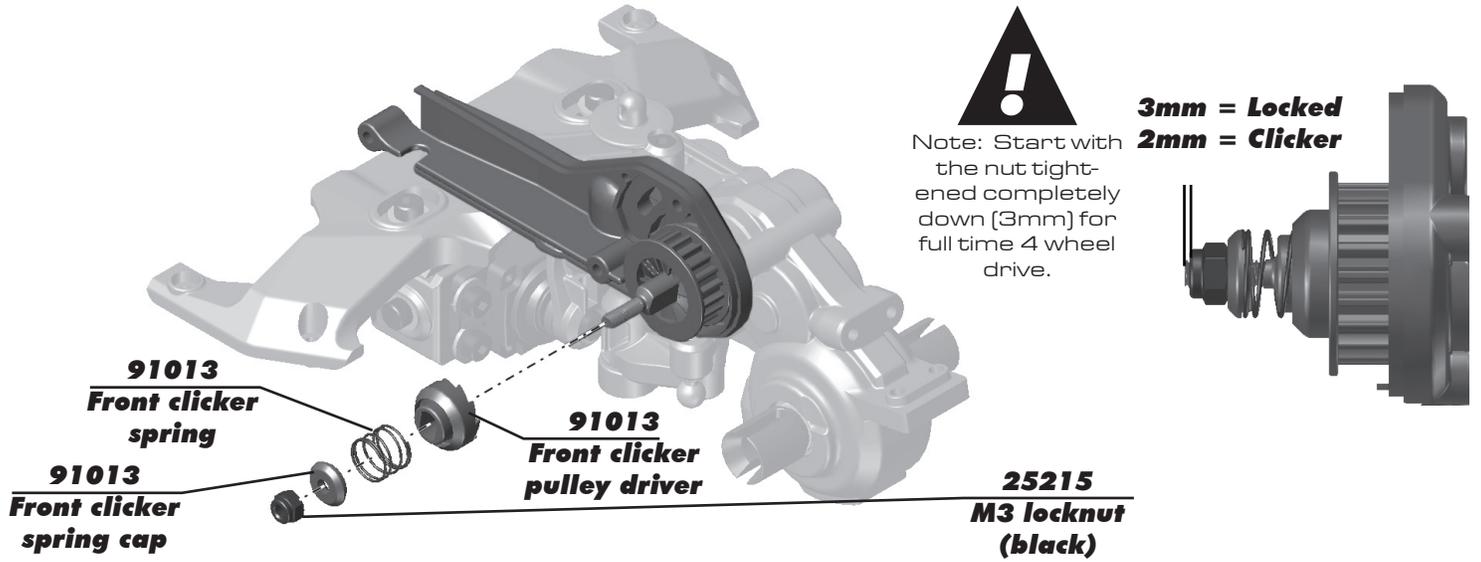
:: Front Gearbox Assembly (cont.)



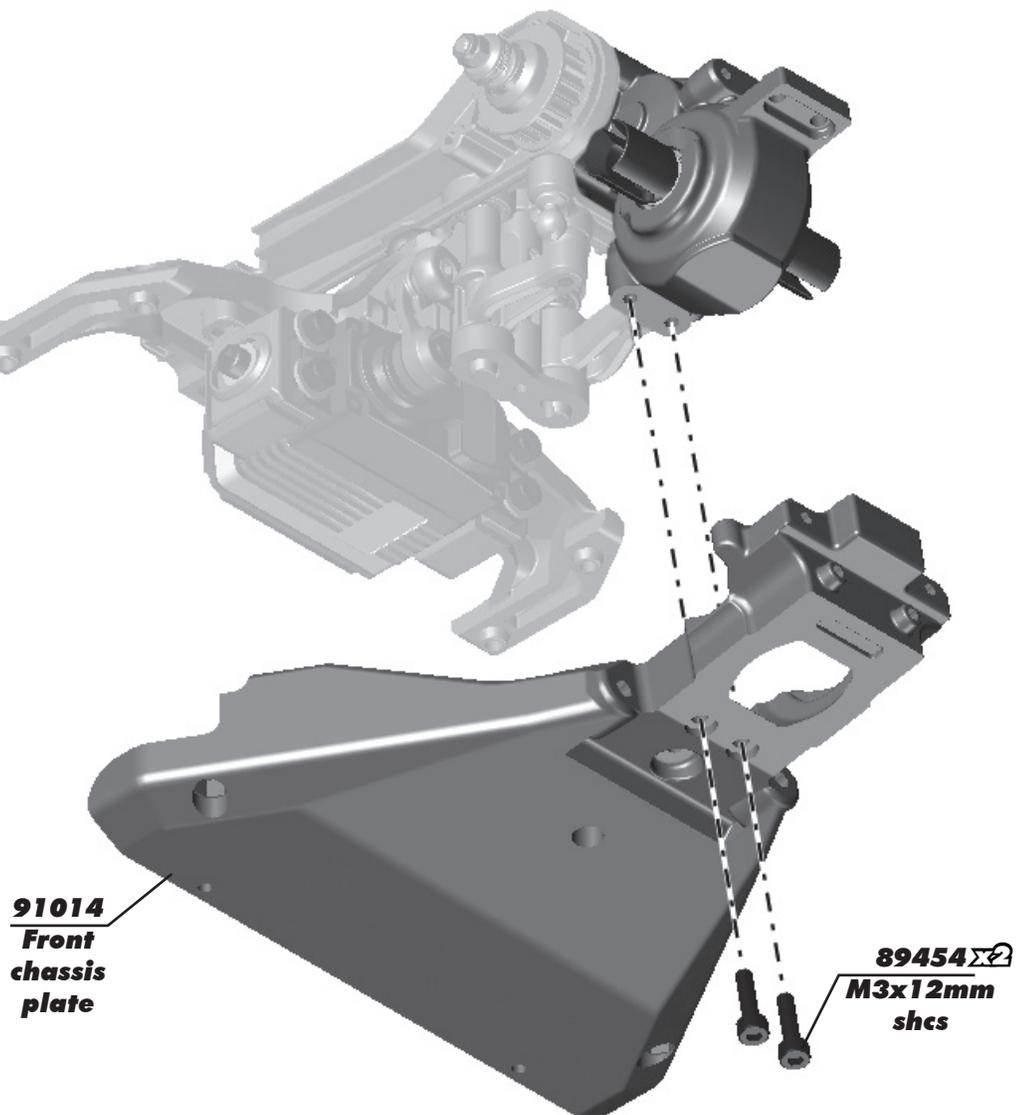
The included optional 19 tooth clicker pulley is marked with a "O" (overdrive).



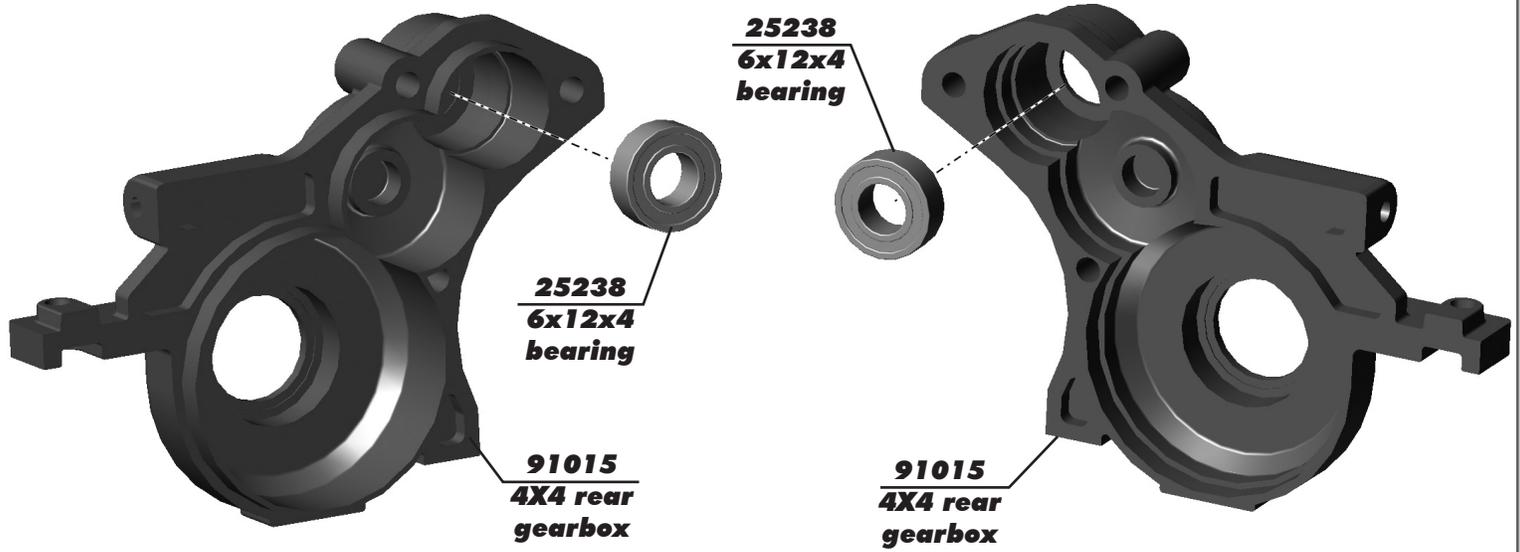
:: Front Gearbox Assembly (cont.)



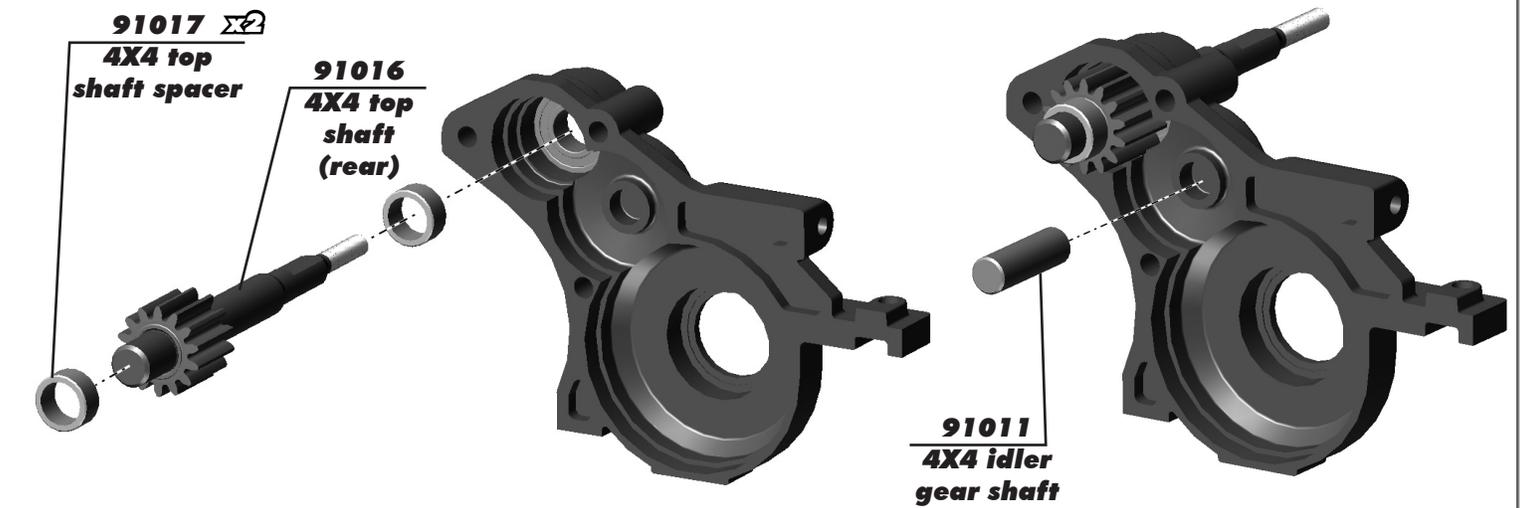
:: Front Gearbox Assembly (cont.)



:: Rear Gearbox Assembly



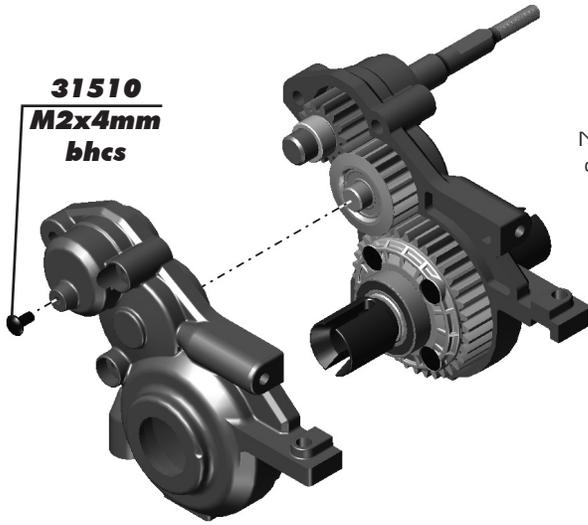
:: Rear Gearbox Assembly (cont.)



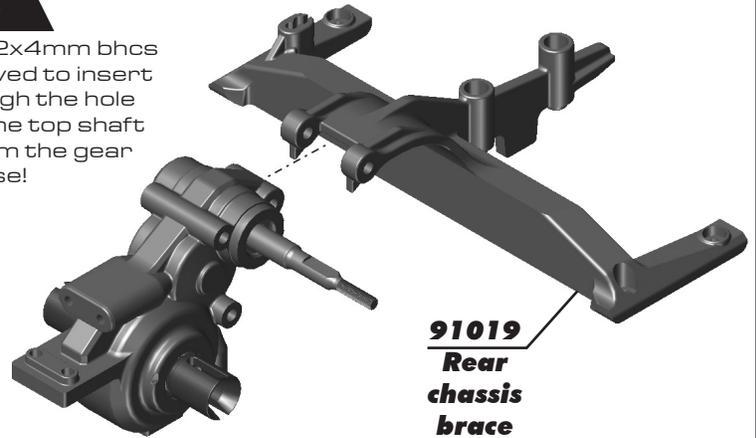
:: Rear Gearbox Assembly (cont.)



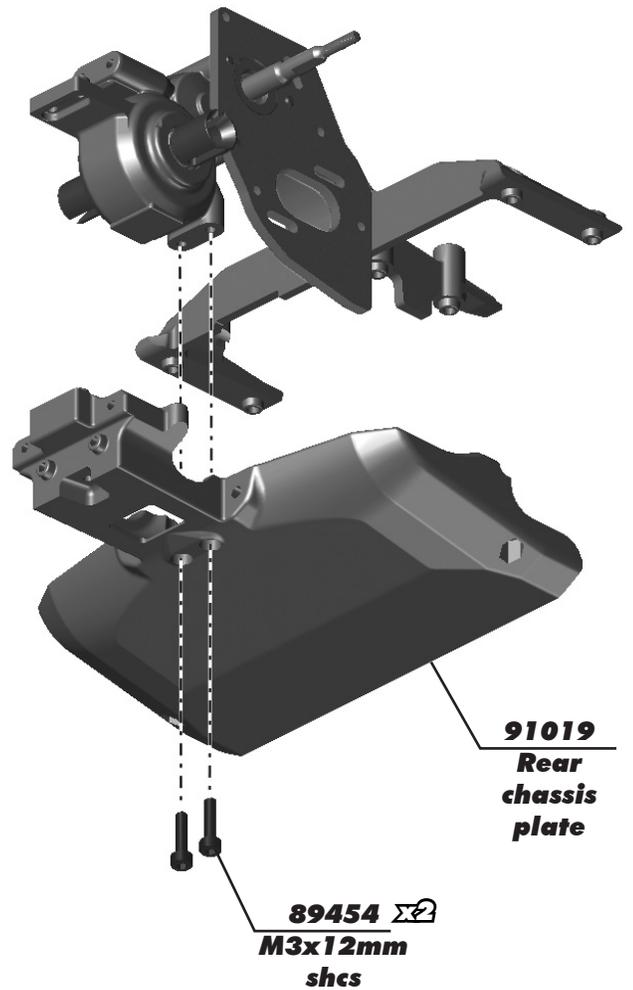
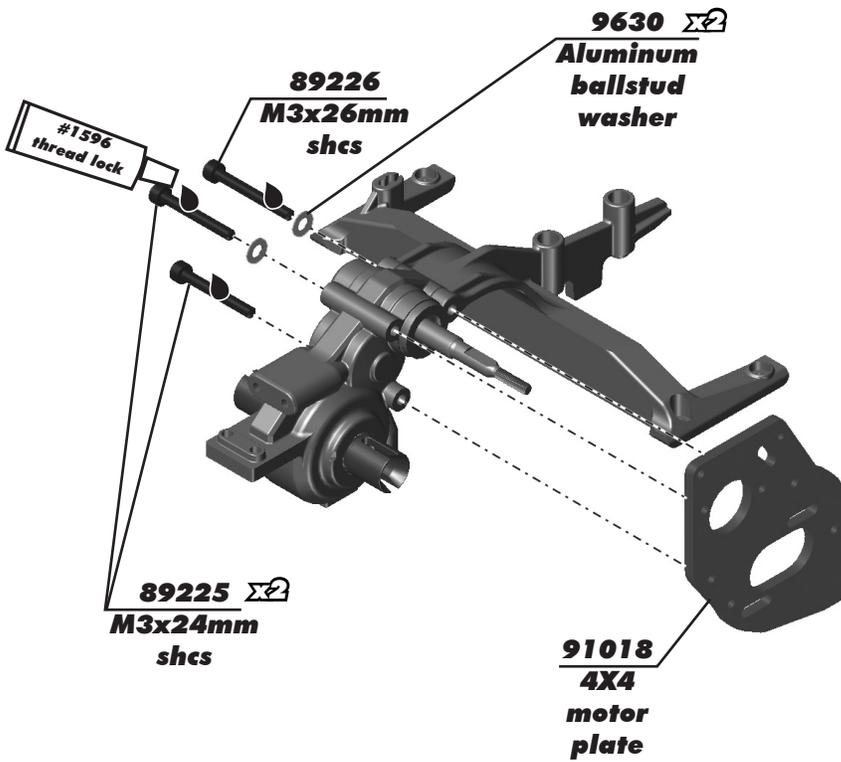
:: Rear Gearbox Assembly (cont.)



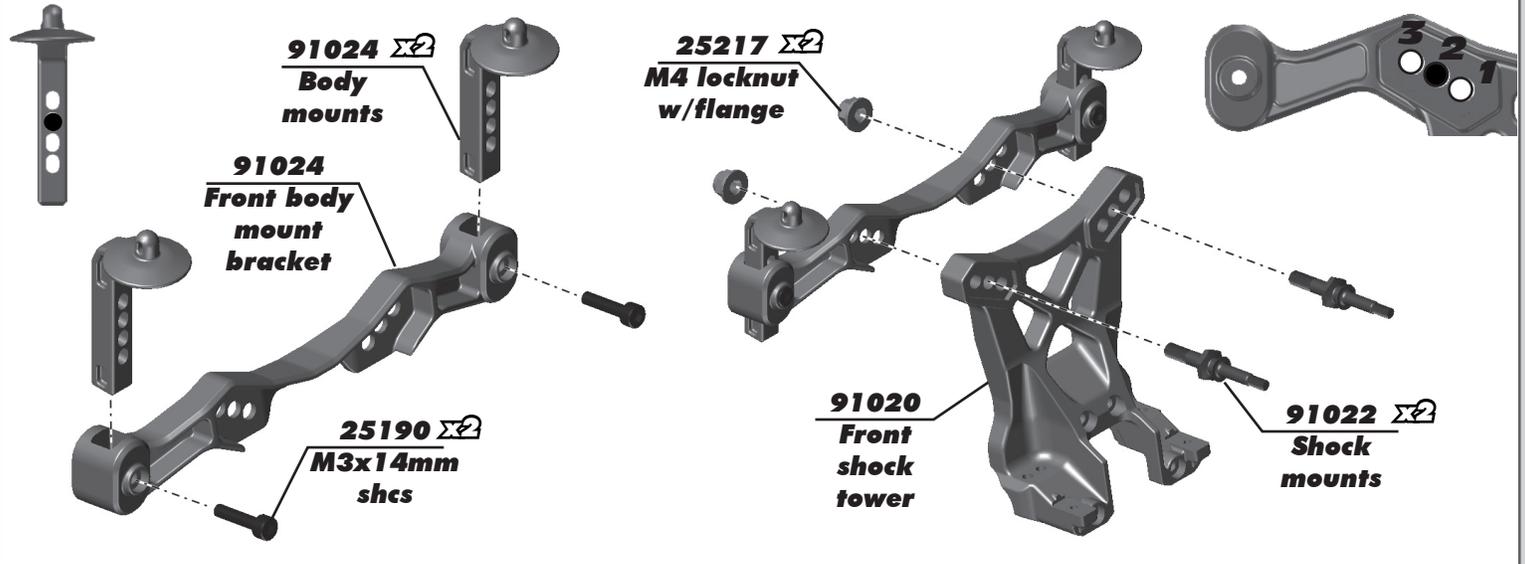
Note: The M2x4mm bhcs can be removed to insert a tool through the hole to remove the top shaft bearing from the gear case!



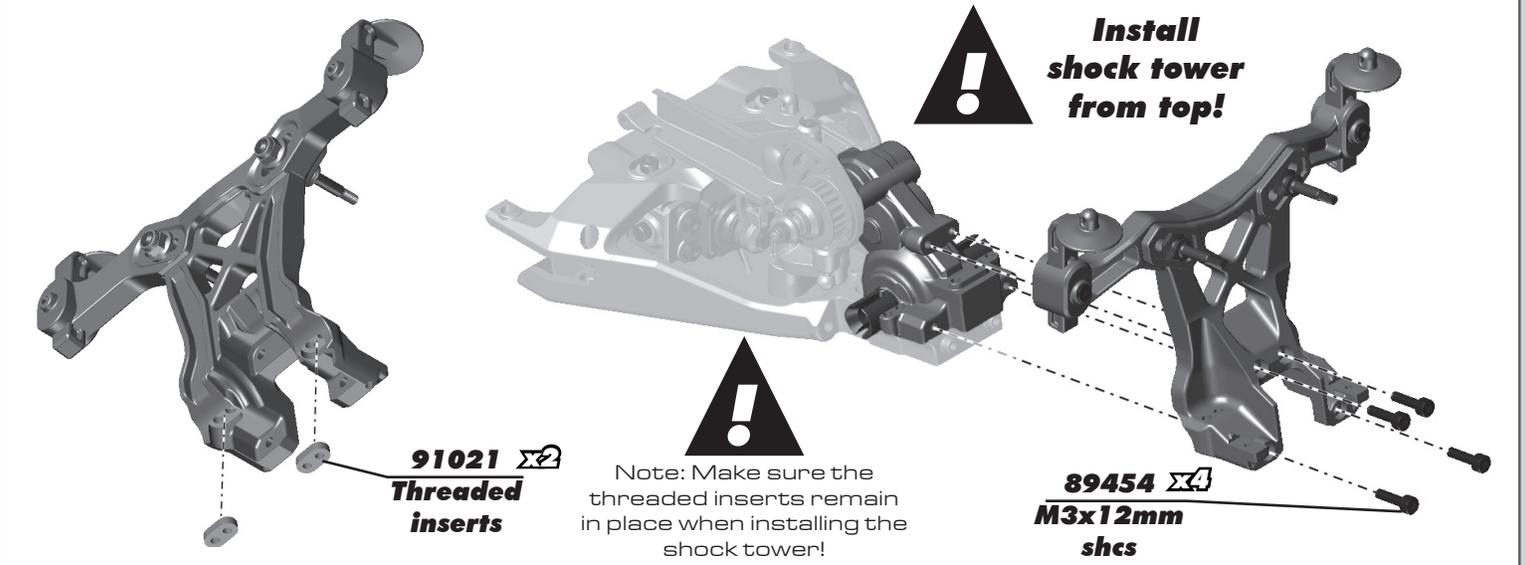
:: Rear Gearbox Assembly (cont.)



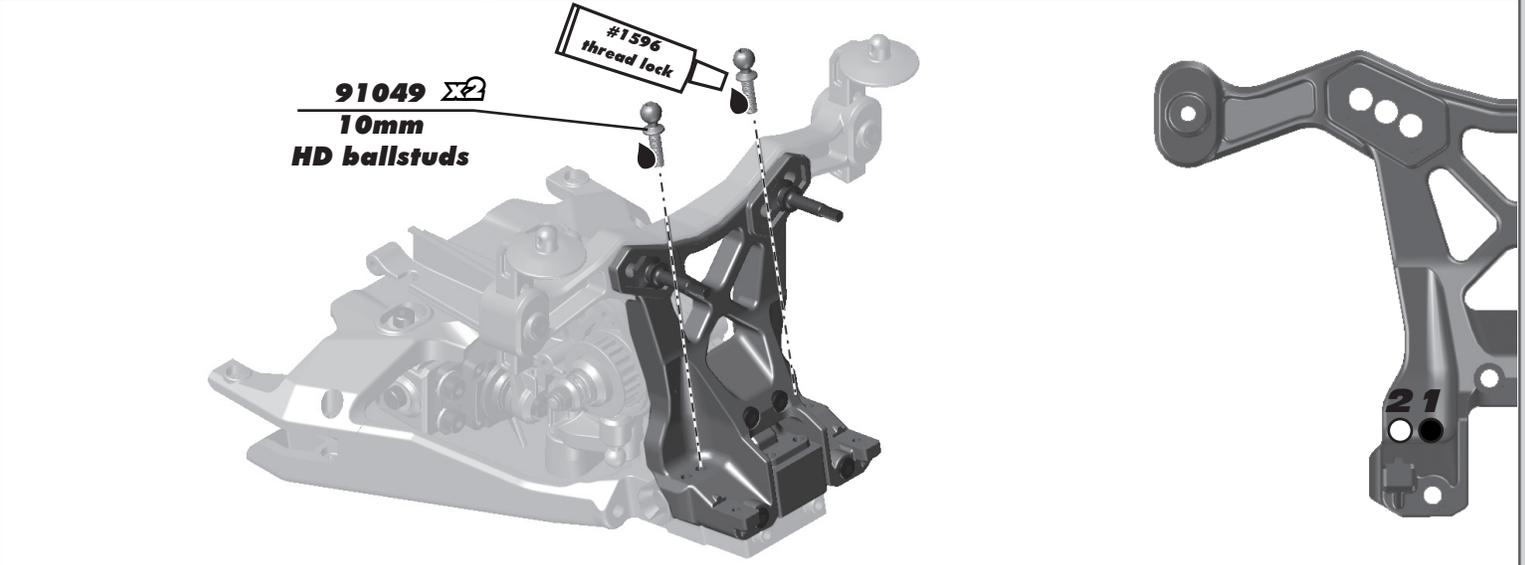
:: Front Shock Tower Assembly



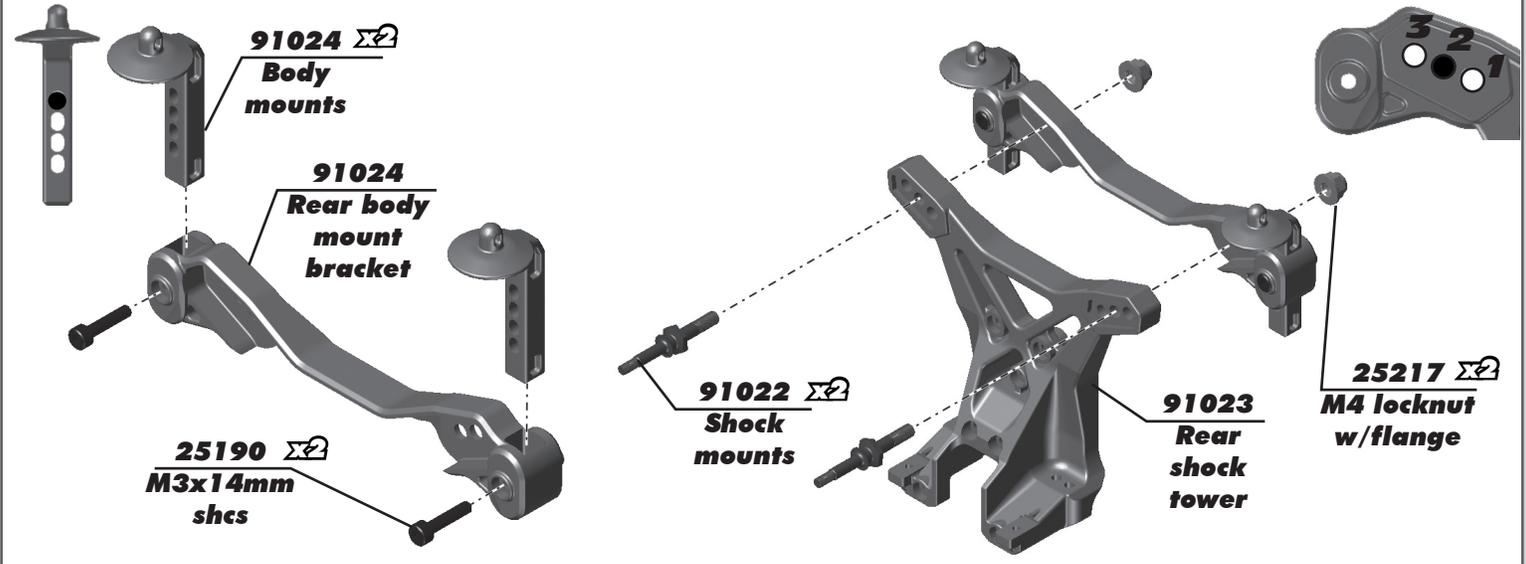
:: Front Shock Tower Assembly (cont.)



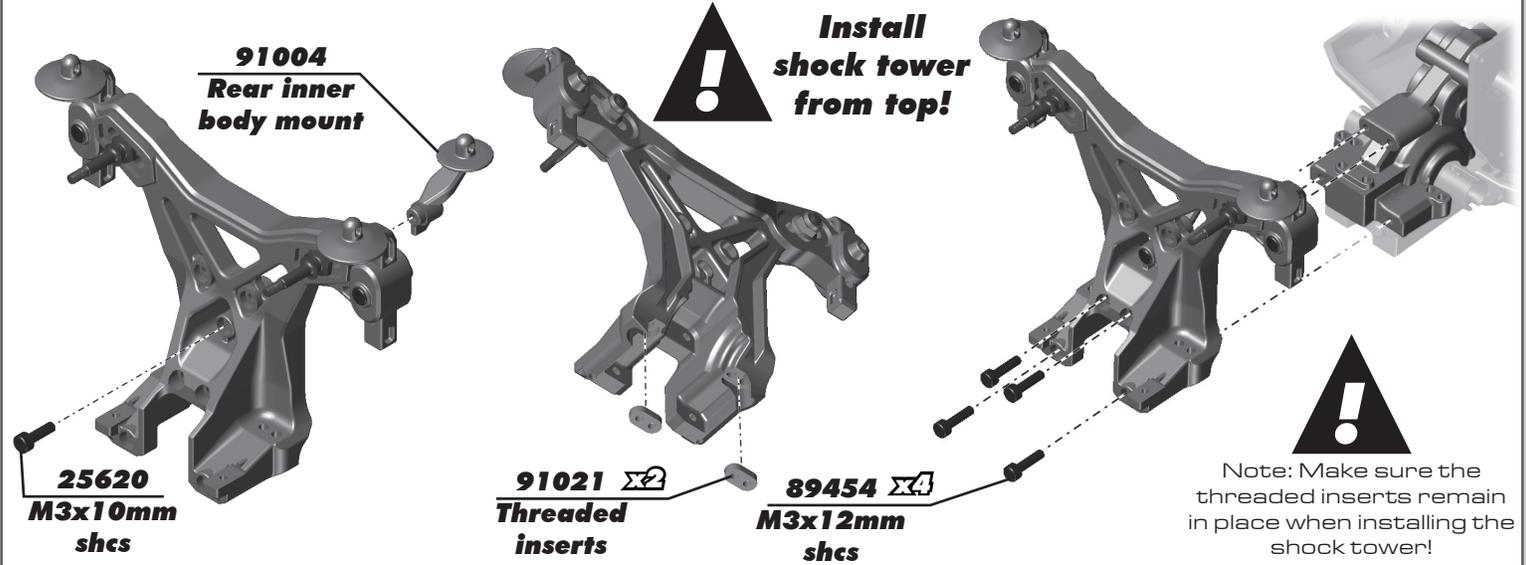
:: Front Shock Tower Assembly (cont.)



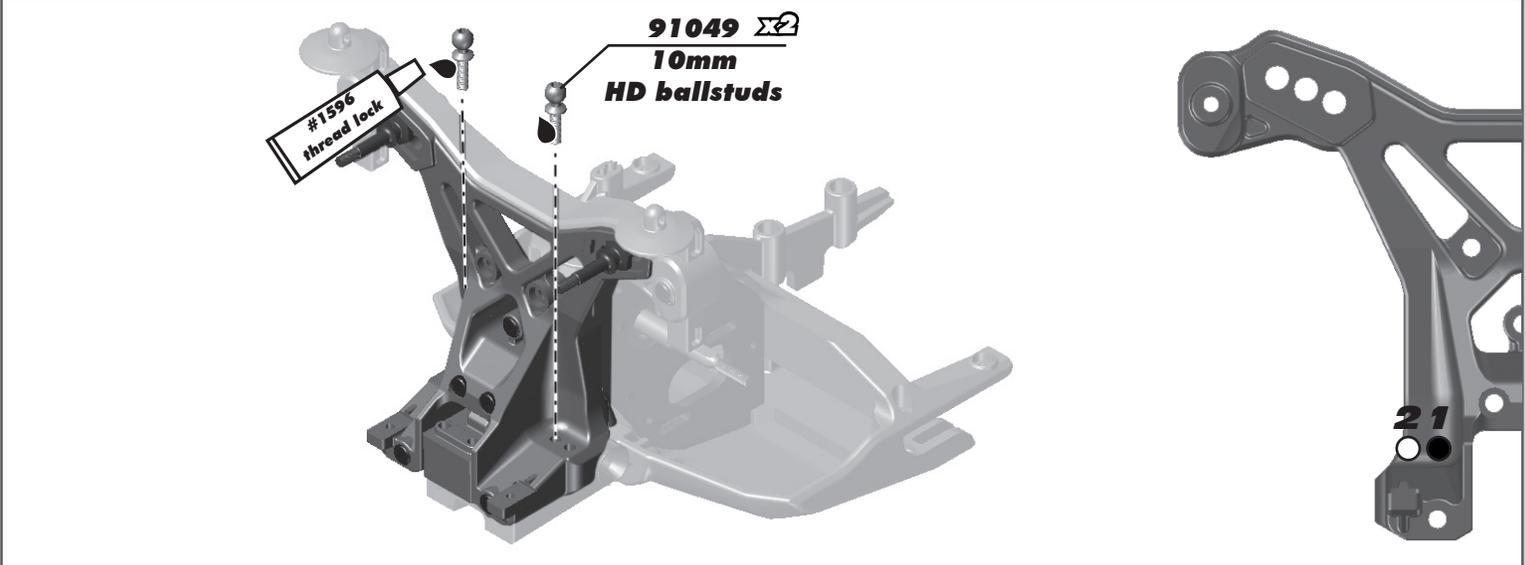
:: Rear Shock Tower Assembly



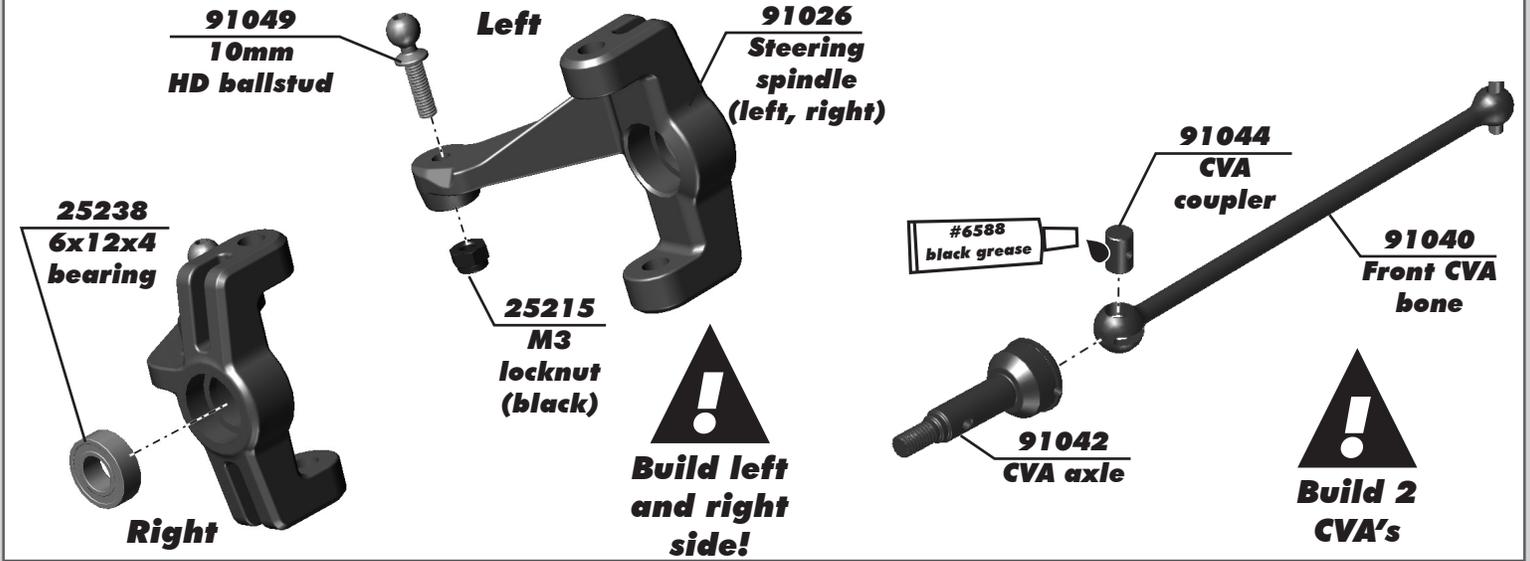
:: Rear Shock Tower Assembly (cont.)



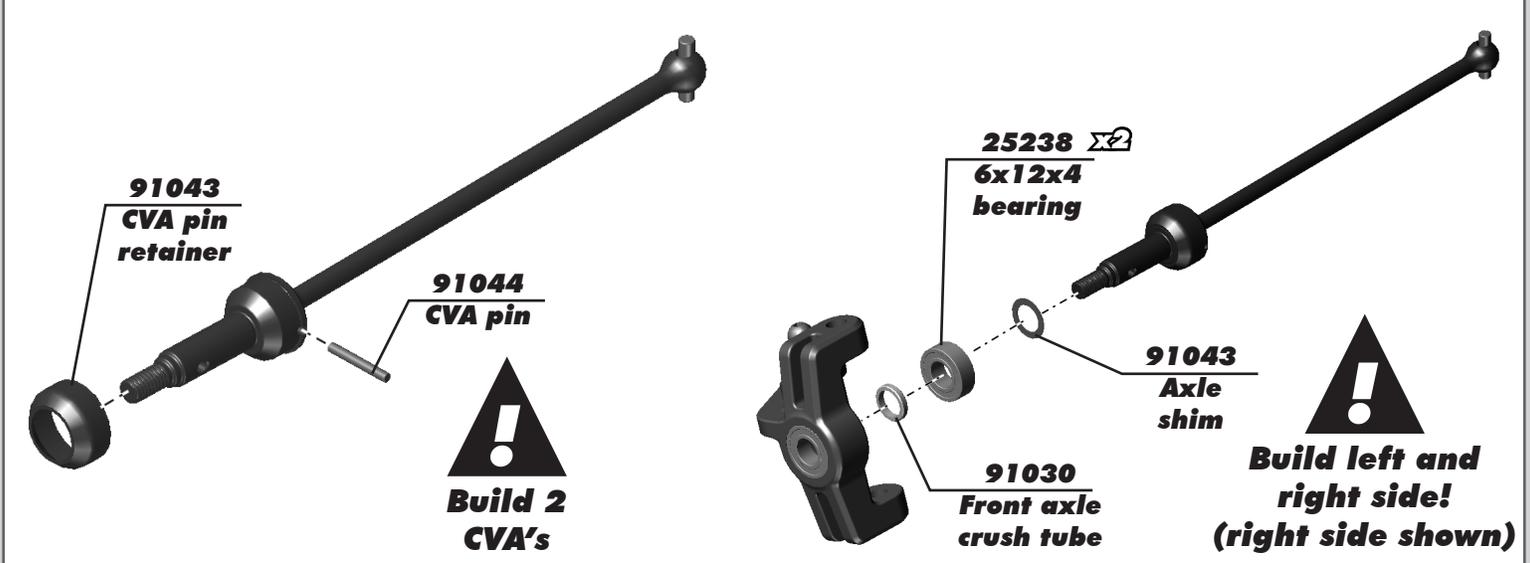
:: Rear Shock Tower Assembly (cont.)



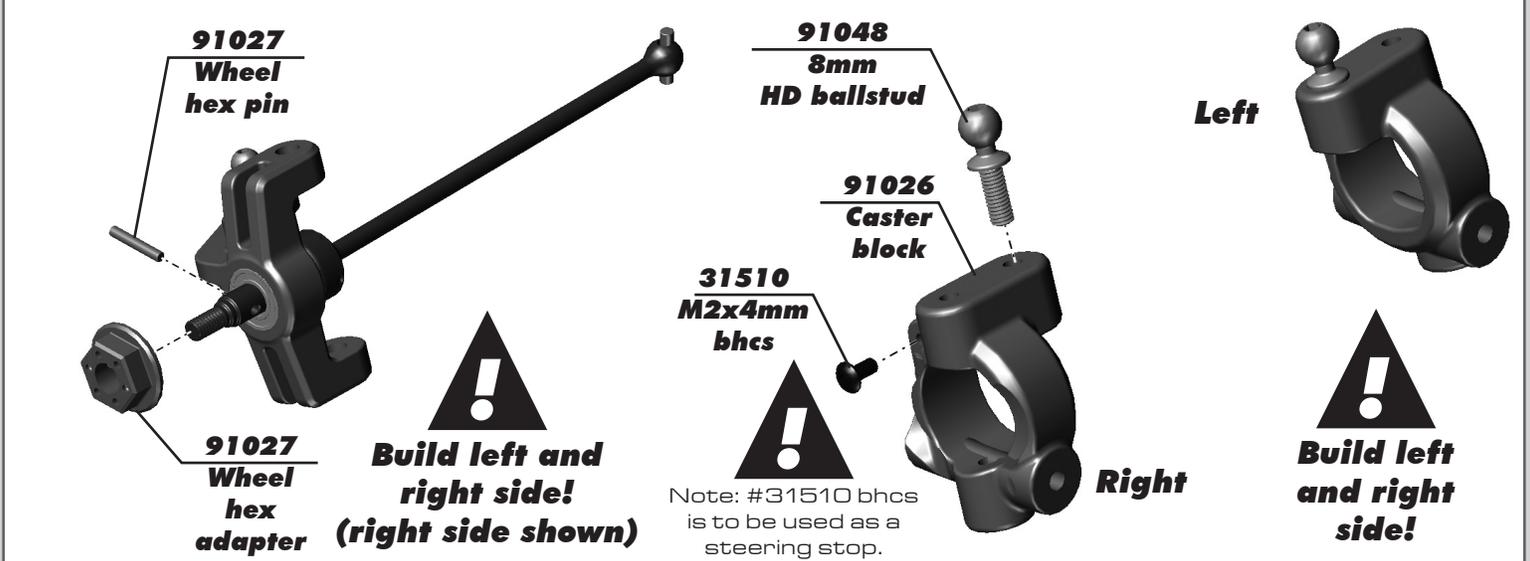
:: Front Suspension Assembly



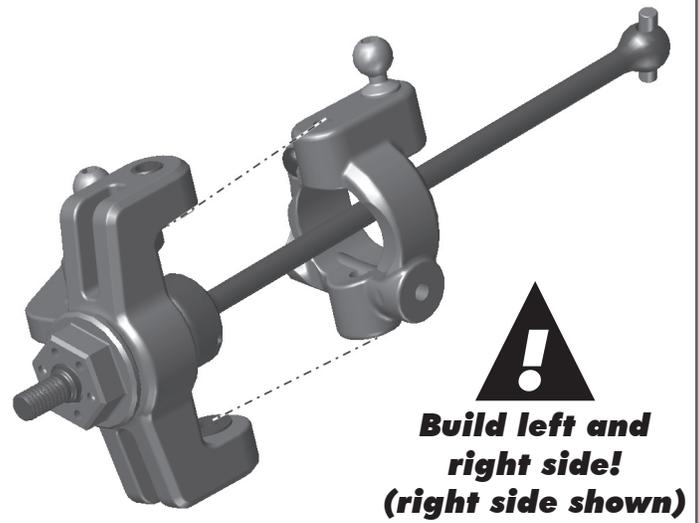
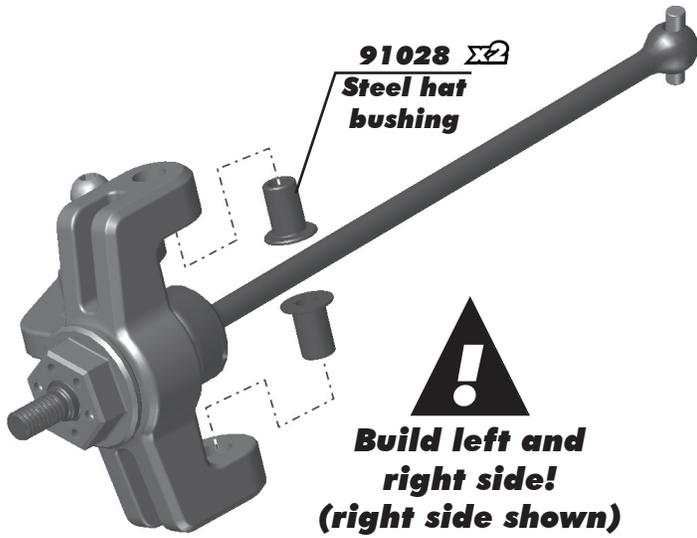
:: Front Suspension Assembly (cont.)



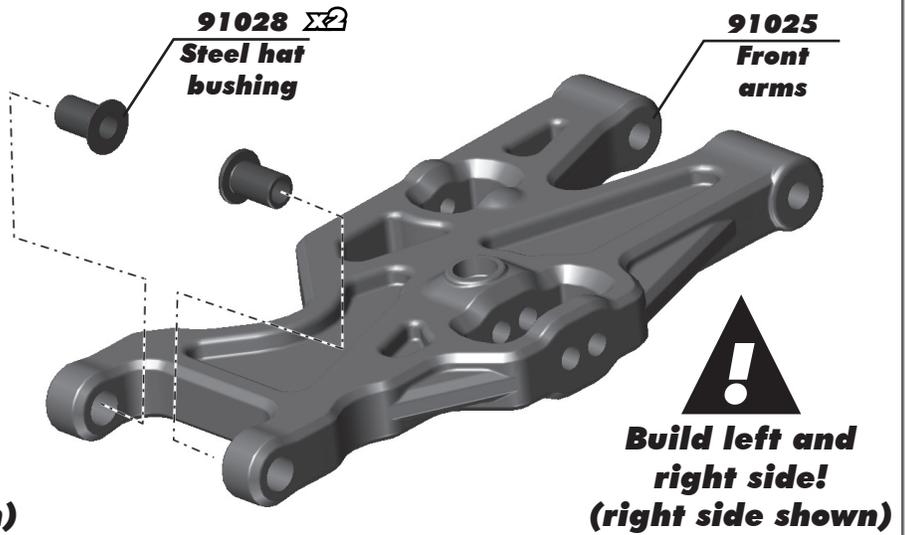
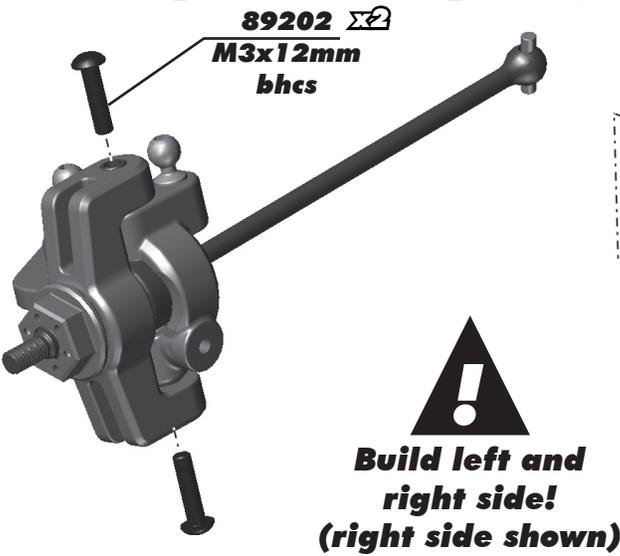
:: Front Suspension Assembly (cont.)



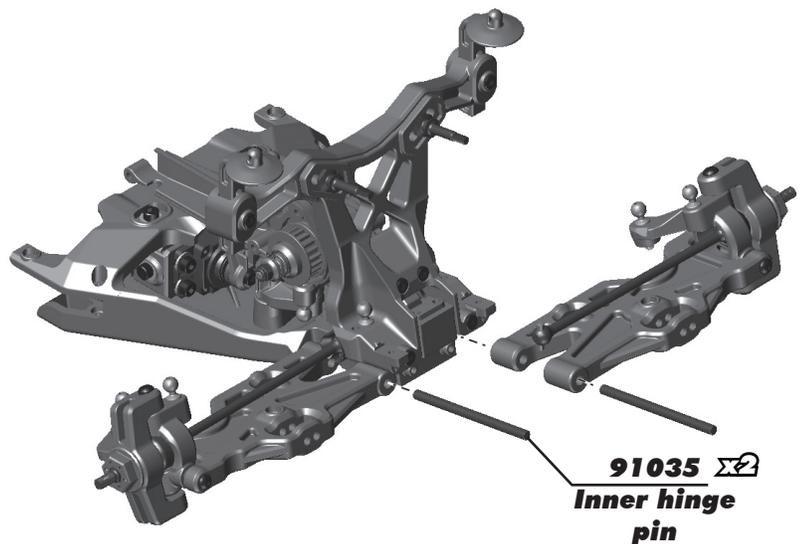
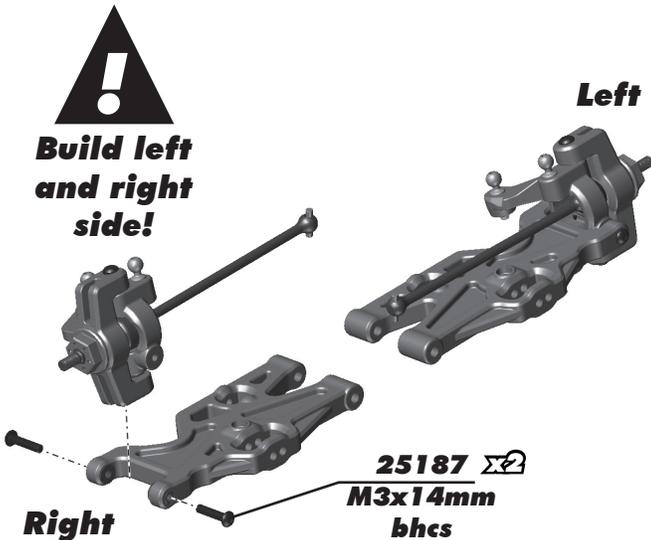
:: Front Suspension Assembly (cont.)



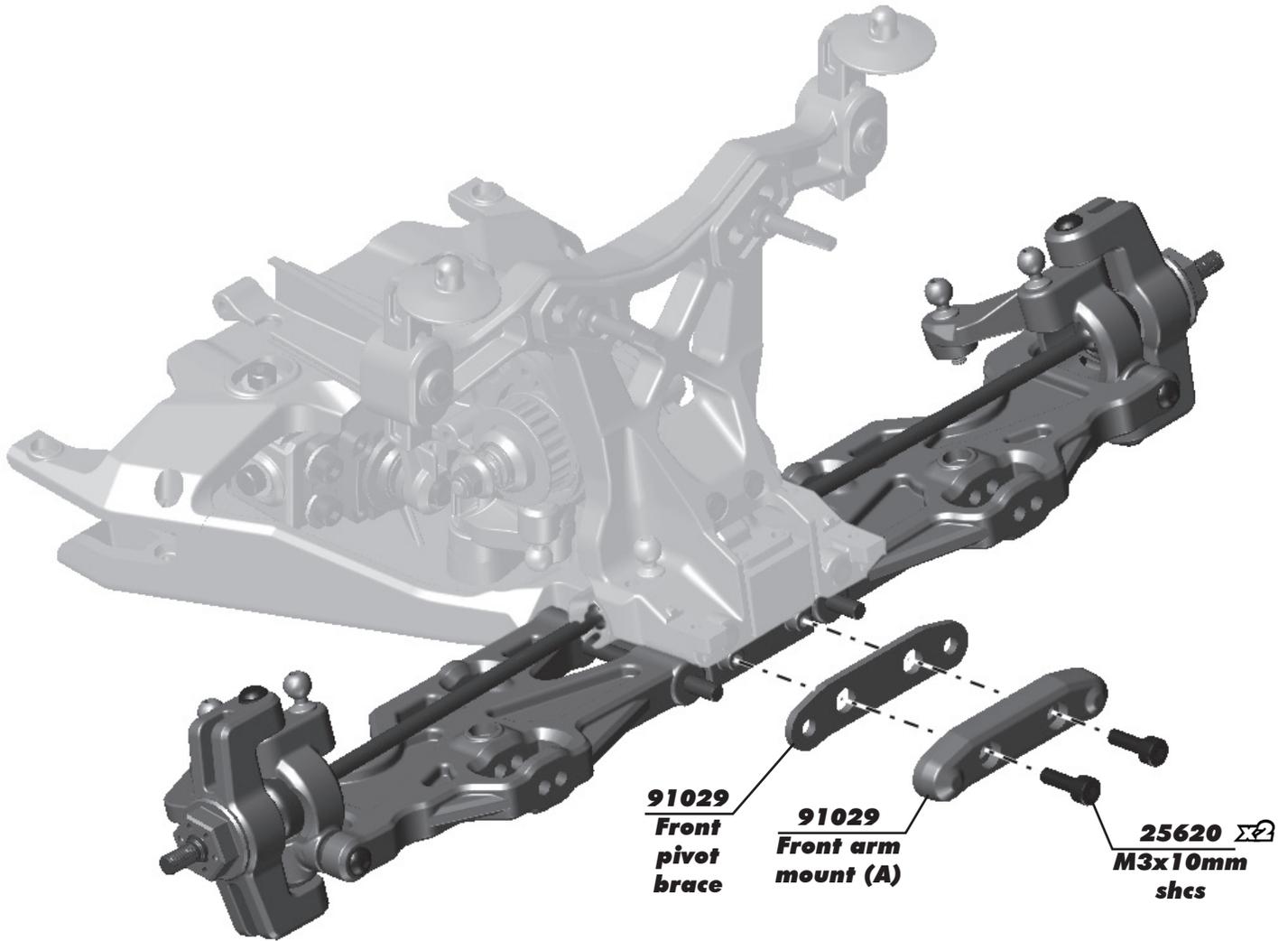
:: Front Suspension Assembly (cont.)



:: Front Suspension Assembly (cont.)



:: Front Suspension Assembly (cont.)



:: Front Suspension Assembly (cont.)



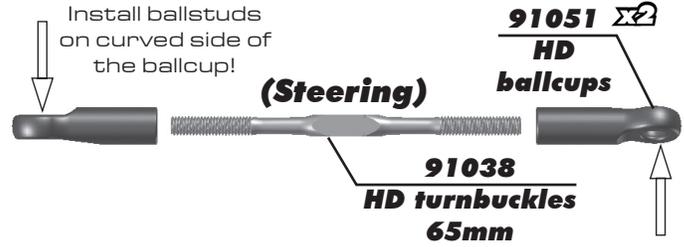
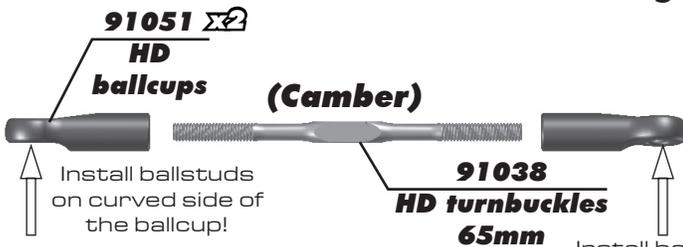
**Front Camber Link
(right side shown)**



**Note the orientation
of the ballcups!
Build a left and
right side!**

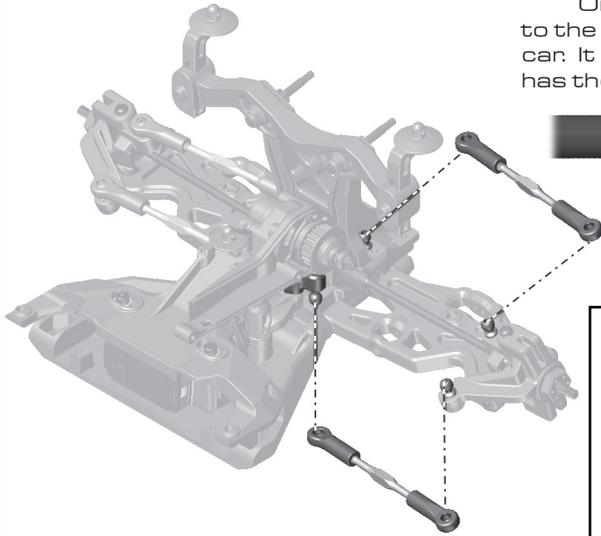


**Front Steering Link
(right side shown)**

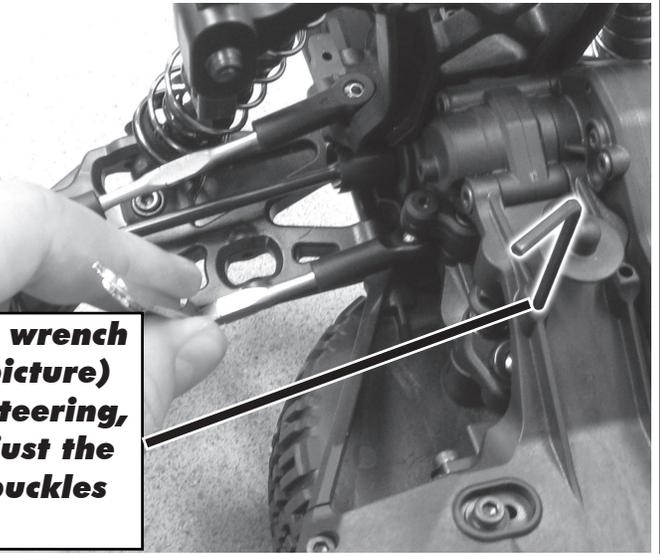


:: Front Suspension Assembly (cont.)

Orient the notch to the left throughout the car. It indicates which end has the left hand threads!



Install an allen wrench (as shown in picture) to lock up the steering, in order to adjust the steering turnbuckles easily!



:: Rear Suspension Assembly



Left

91048
8mm
HD ballstud

#1596
thread lock

25215
M3 locknut
(black)

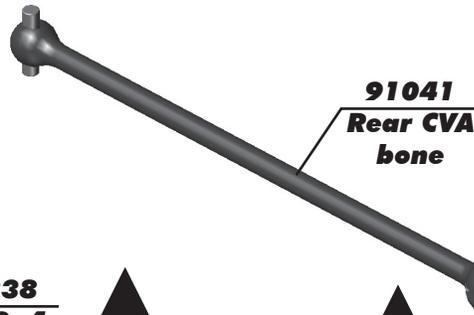
91032
Rear hub
carriers

Right

25238
6x12x4
bearing



**Build left
and right
side!**



91041
Rear CVA
bone

91044
CVA
coupler

#6588
black grease

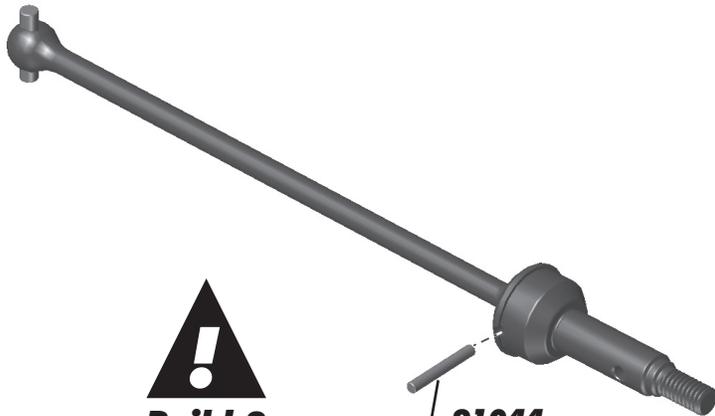


**Build 2
CVA's**



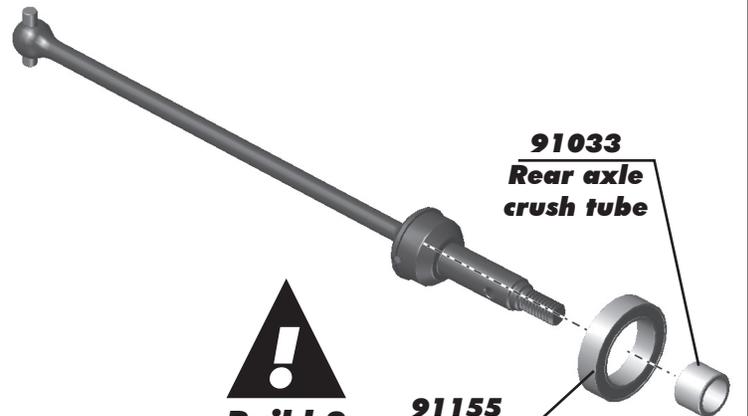
91042
CVA axle

:: Rear Suspension Assembly (cont.)



**Build 2
CVA's**

91044
CVA
pin



**Build 2
CVA's**

91033
Rear axle
crush tube

91155
12x18x4
bearing

:: Rear Suspension Assembly (cont.)



**Build left and right side!
(right side shown)**

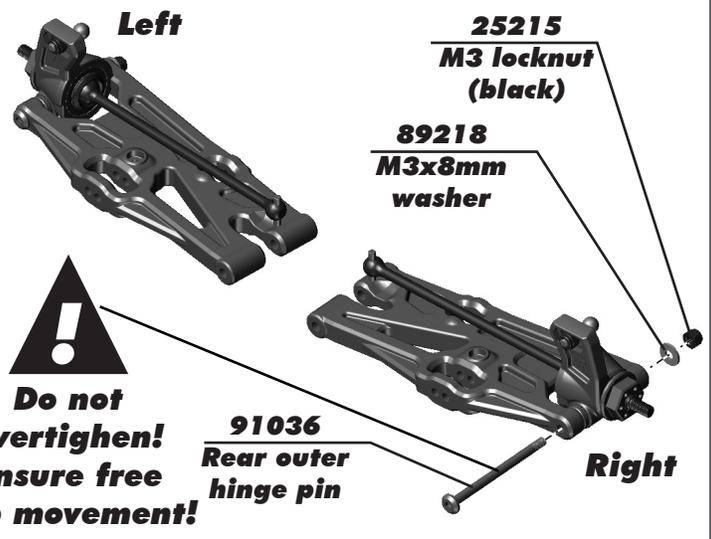
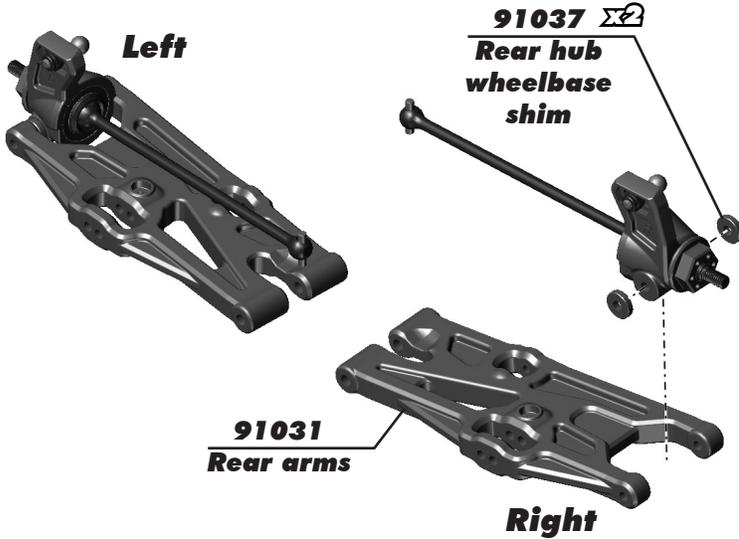


**Build left and right side!
(right side shown)**

**91027
Wheel
hex pin**

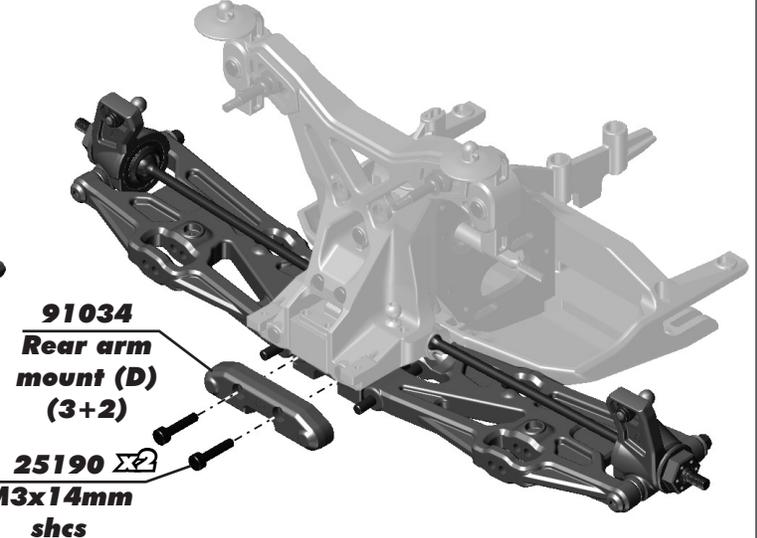
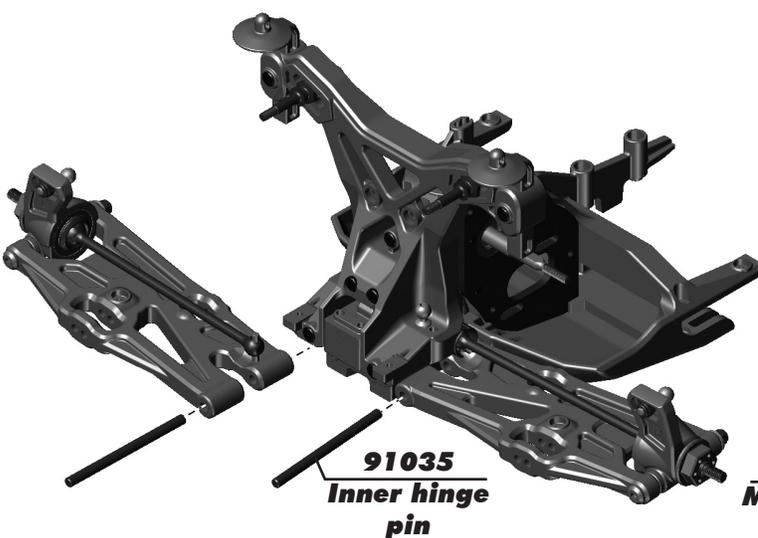
**91027
Wheel
hex
adapter**

:: Rear Suspension Assembly (cont.)



**Do not overtighten!
Ensure free hub movement!**

:: Rear Suspension Assembly (cont.)



**91034
Rear arm
mount (D)
(3+2)**

**25190
M3x14mm
shcs**

:: Rear Suspension Assembly (cont.)

! Rear Camber Link (right side shown)

Install ballstuds on curved side of the ballcup!

! Note the orientation of the ballcups! Build a left and right side!

91039 HD turnbuckles 80mm

1:1
54.3mm

91051 HD ballcups

Install ballstuds on curved side of the ballcup!

Orient the notch to the left throughout the car. It indicates which end has the left hand threads!

:: Shocks Assembly

#1596 thread lock

91059 M2.5x5x0.5 washer

91065 1.2mm pistons

91059 Shock piston bhc's

91059 Shock piston spacer

91057 26mm shock shaft (front)

91058 30mm shock shaft (rear)

! Install the shock cartridge seal tube with the tapered side pointed to the top! (see below)

91054 Shock cartridge body

91054 Shock cartridge seal tube

91055 Shock X-rings

91054 Shock cartridge seal cap

Shock fluid

:: Shocks Assembly (cont.)

91070 Shock boots

91070 Shock bumper

91056 Shock pivot ball

91060 26mm shock body (front)

91061 30mm shock body (rear)

91056 Shock rod end

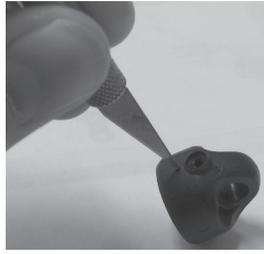
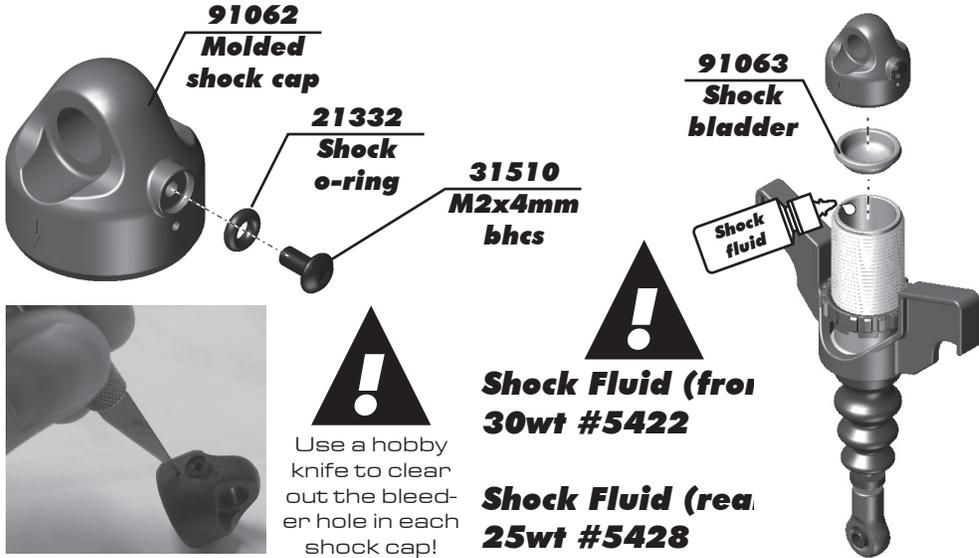
Install through larger sized hole on rod end!

91067 Spring collar

91107 Shock tool (body)

91107 Shock tool (cap)

:: Shocks Assembly (cont.)



!
Use a hobby knife to clear out the bleed hole in each shock cap!

Shock Fluid (front) 30wt #5422

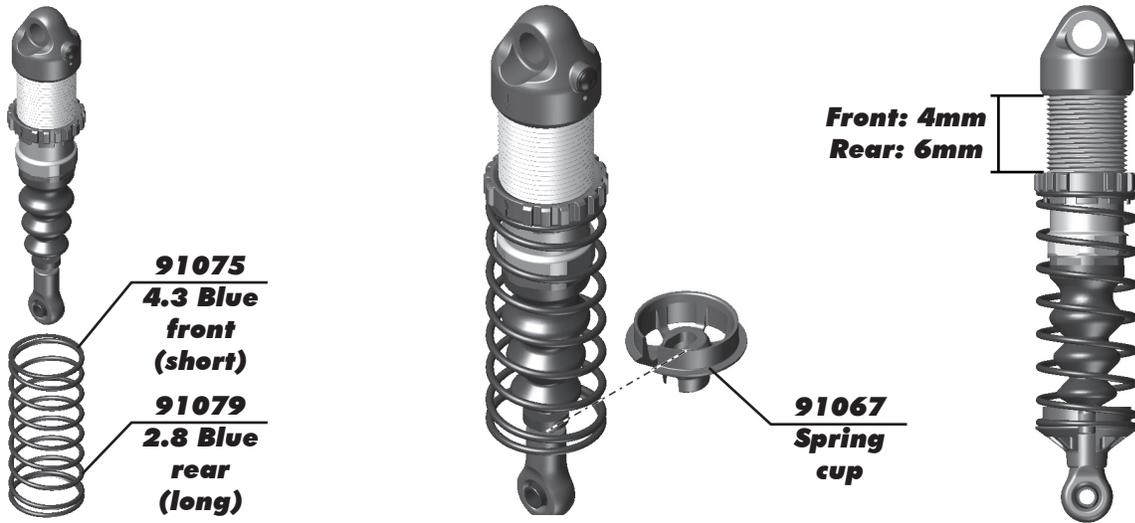
Shock Fluid (rear) 25wt #5428

*** Shock Bleeding Steps:**

1. Fill shock body 3/4 full with silicone fluid
2. Pump the shock shaft up and down to remove any air bubbles.
3. Wait for the air bubbles to surface, then compress the shock shaft half way.
4. Fill the shock within 0.5mm from the top with silicone shock fluid.
5. Gently seat the bladder into the shock cap
6. Thread the shock cap onto the shock, excess fluid will exit thru the bleed hole.
7. Tighten cap by hand, and pump the shock up and down to check for leaks or air bubbles.
8. If the shock is leaking, tighten the cartridge or shock cap and retry.
9. If the shock has air bubbles, remove the cap and start at step 2.

Note: This setting is known as half rebound.

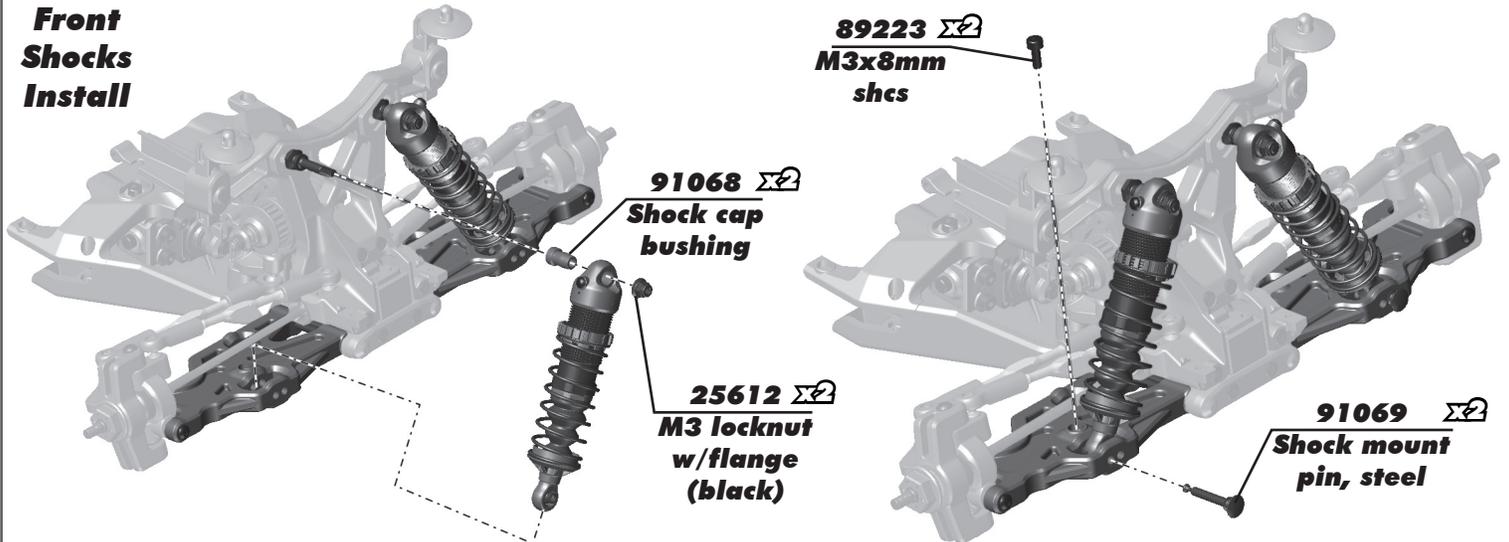
:: Shocks Assembly (cont.)



!
Build two front and two rear shocks!

:: Shocks Assembly (cont.)

Front Shocks Install

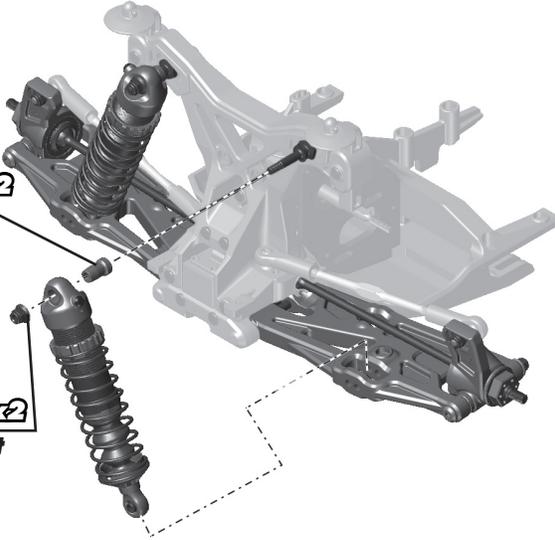


:: Shocks Assembly (cont.)

Rear Shocks Install

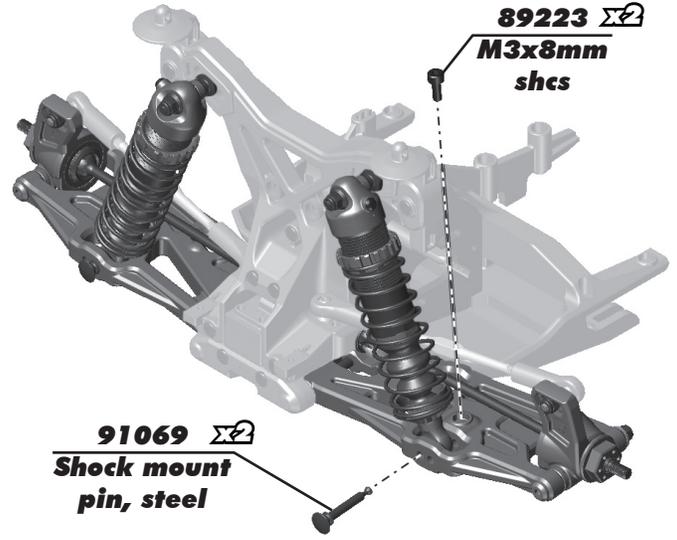
91068 $\Sigma 2$
Shock cap bushing

25612 $\Sigma 2$
M3 locknut w/flange (black)



89223 $\Sigma 2$
M3x8mm shcs

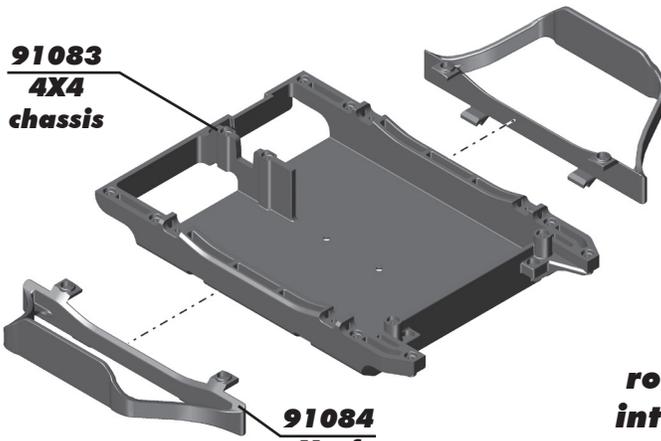
91069 $\Sigma 2$
Shock mount pin, steel



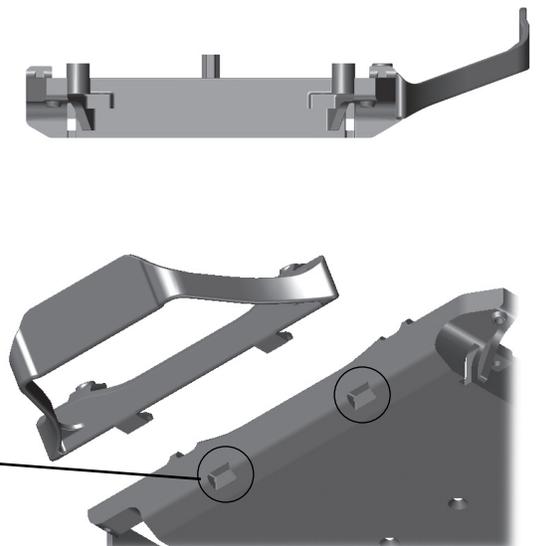
:: Chassis Assembly

91083
4X4 chassis

91084
Nerf bars



Note:
rotate nerf bars into chassis slots!



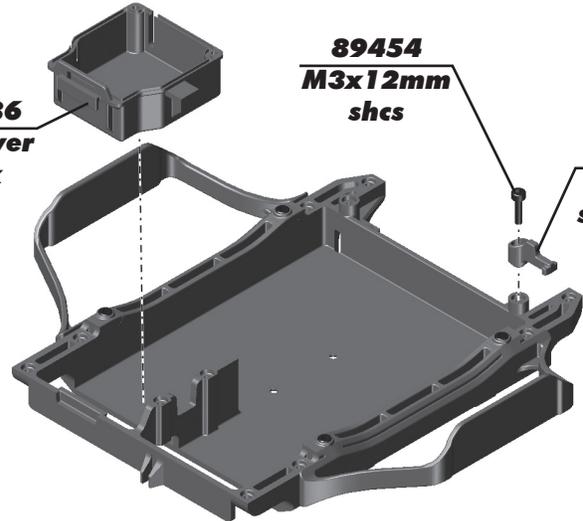
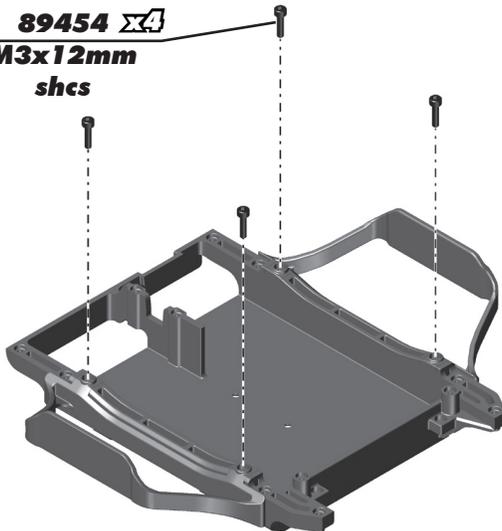
:: Chassis Assembly (cont.)

89454 $\times 4$
M3x12mm shcs

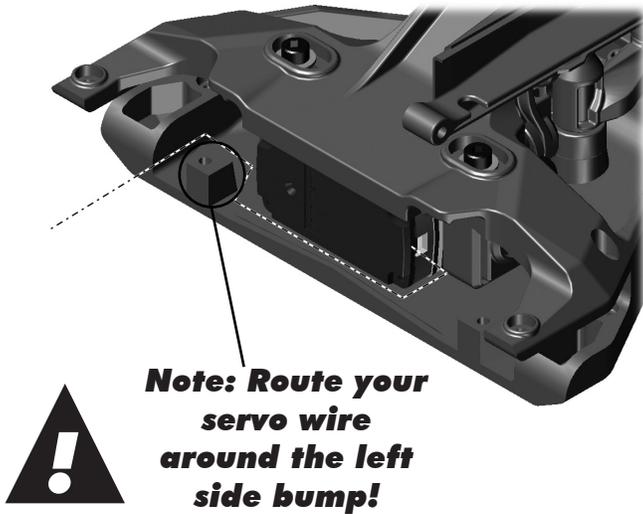
91086
Receiver box

89454
M3x12mm shcs

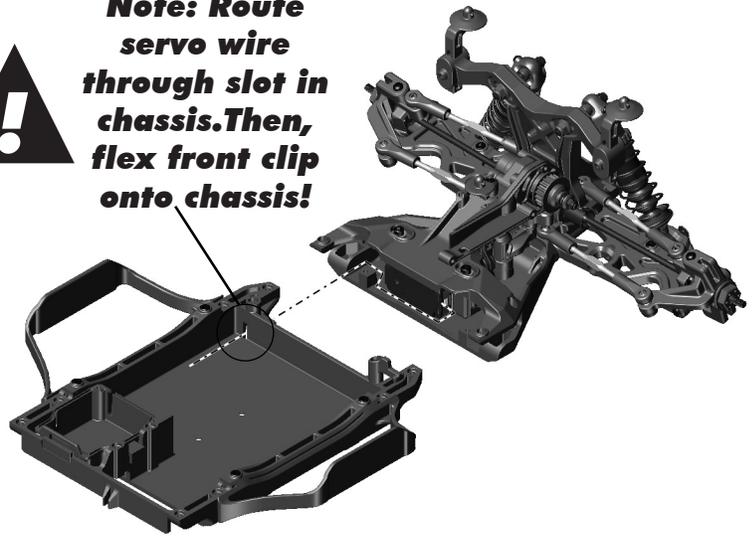
91085
Battery strap lock



:: Chassis Assembly (cont.)

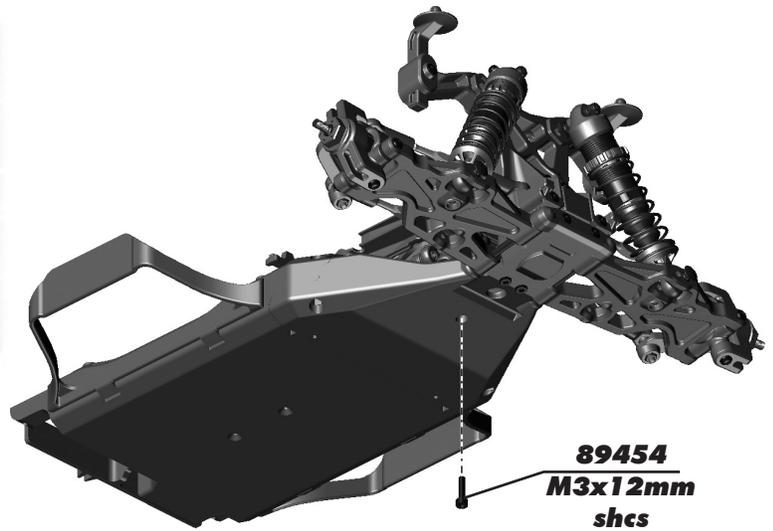
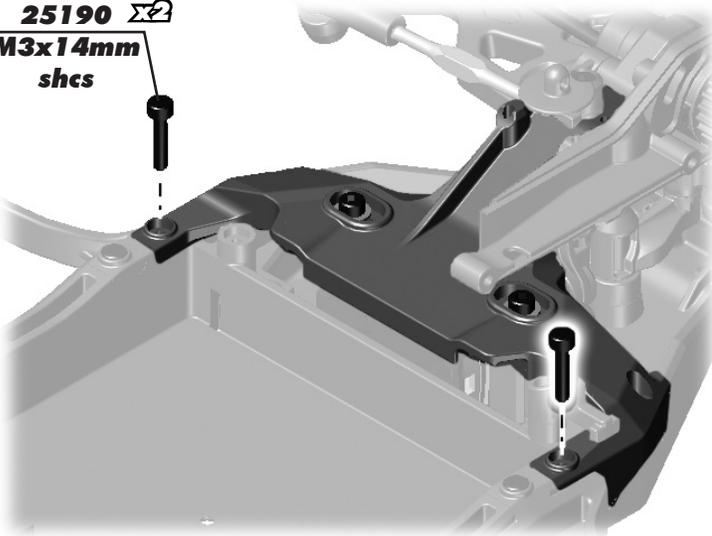


Note: Route servo wire through slot in chassis. Then, flex front clip onto chassis!



:: Chassis Assembly (cont.)

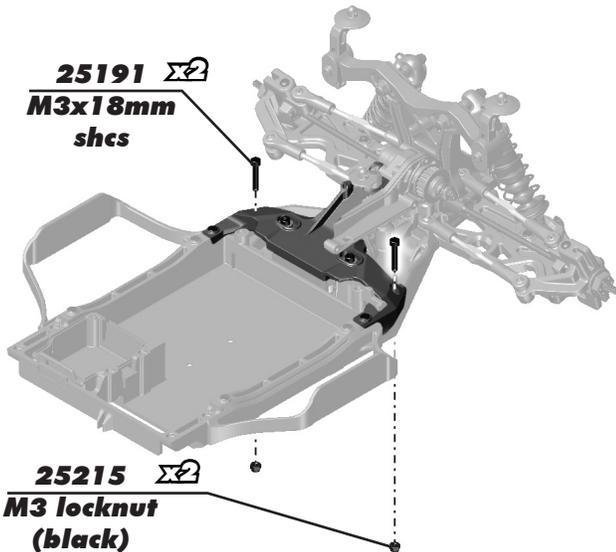
25190 $\Sigma 2$
M3x14mm shcs



89454
M3x12mm shcs

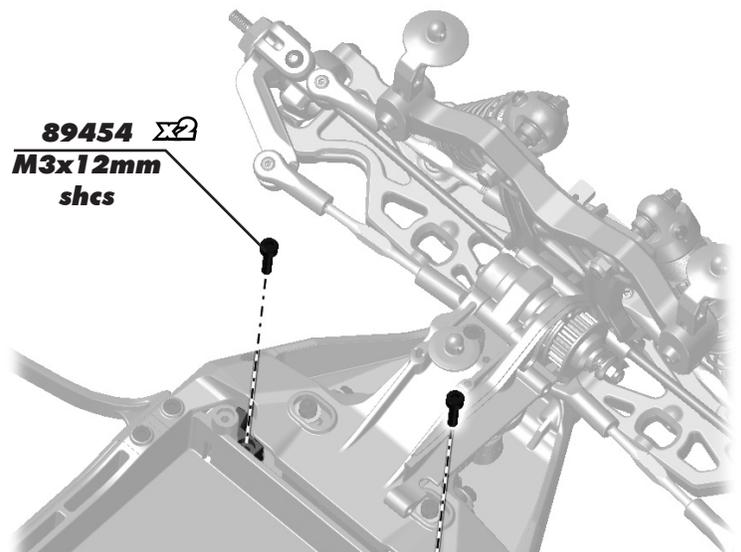
:: Chassis Assembly (cont.)

25191 $\Sigma 2$
M3x18mm shcs

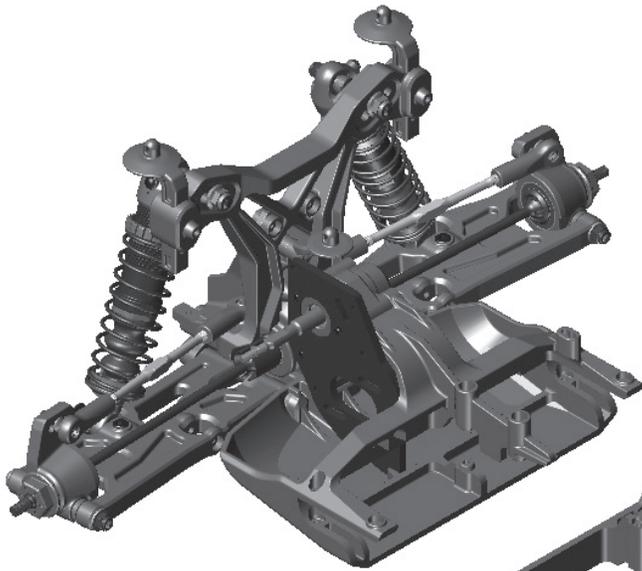


25215 $\Sigma 2$
M3 locknut (black)

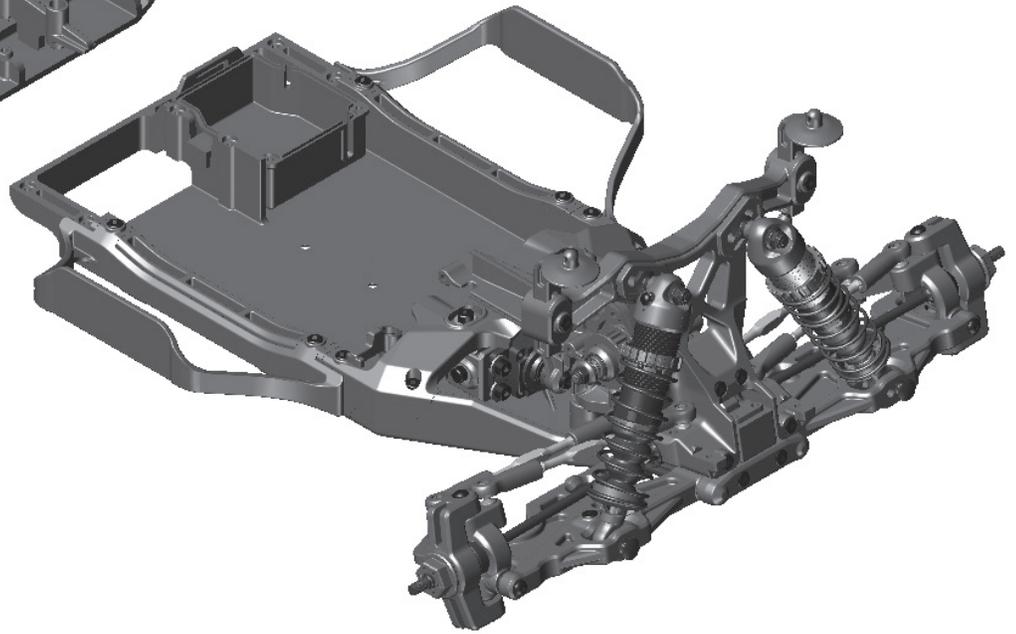
89454 $\Sigma 2$
M3x12mm shcs



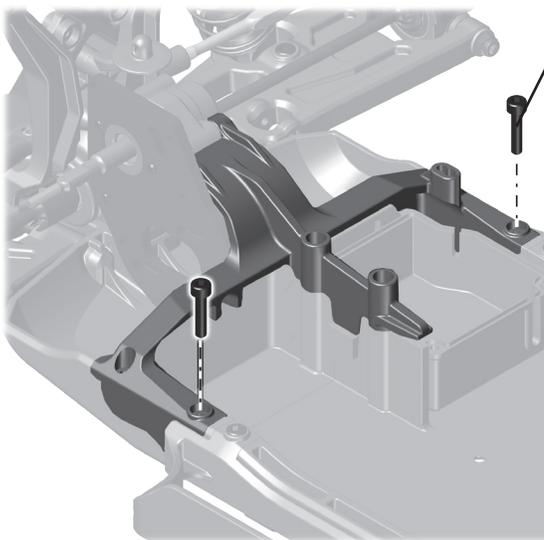
:: Chassis Assembly (cont.)



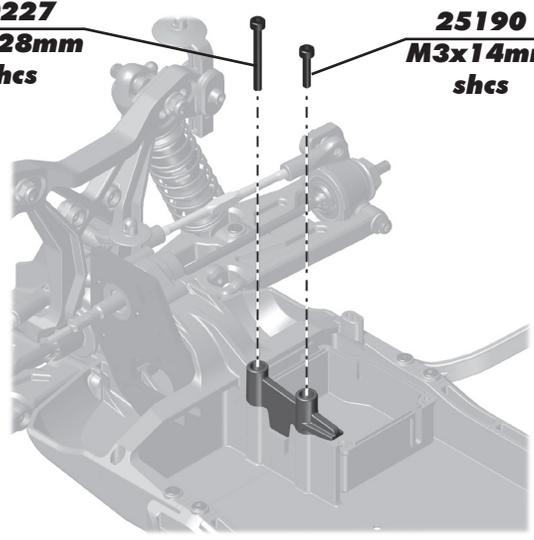
Note:
Install rear clip
onto chassis!



:: Chassis Assembly (cont.)



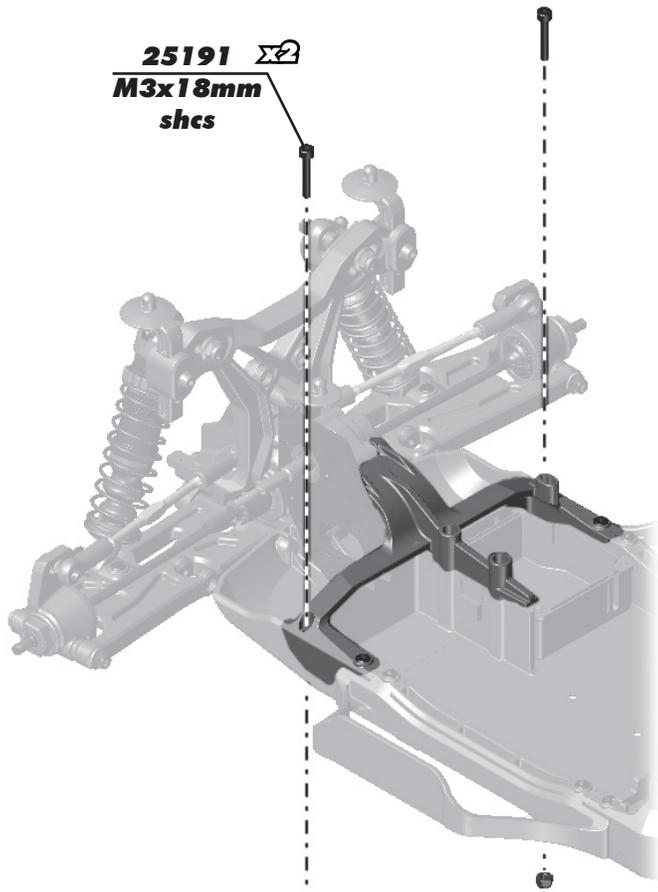
25190 
M3x14mm
shcs



89227
M3x28mm
shcs

25190
M3x14mm
shcs

:: Chassis Assembly (cont.)

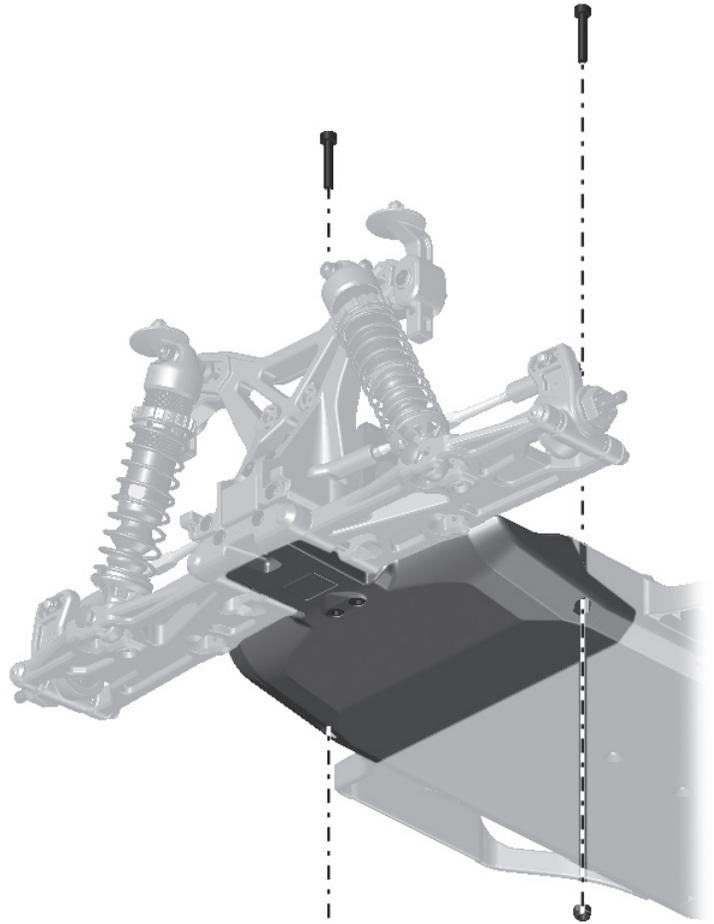


25191 $\Sigma 2$
M3x18mm
shcs

25215 $\Sigma 2$
M3 locknut
(black)

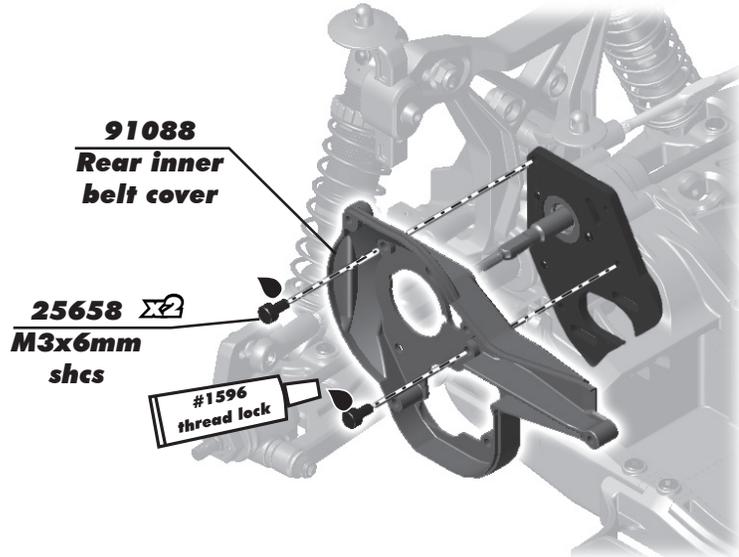


**Top
view**



**Bottom
view**

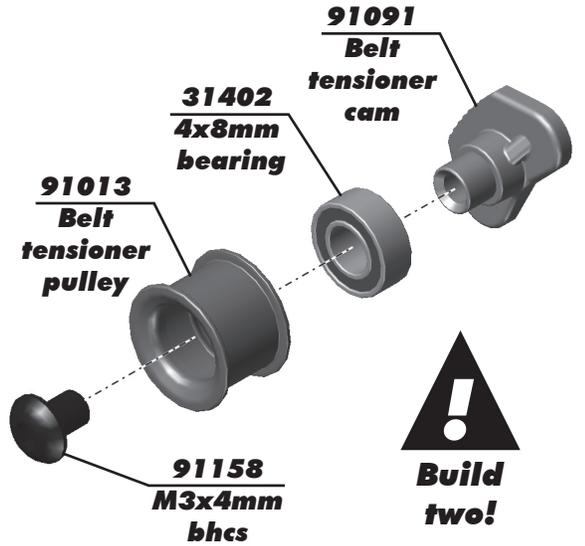
:: Belt, Tensioners, Spur Gear, and Covers Assembly



91088
Rear inner
belt cover

25658 $\Sigma 2$
M3x6mm
shcs

#1596
thread lock



91091
Belt
tensioner
cam

31402
4x8mm
bearing

91013
Belt
tensioner
pulley

91158
M3x4mm
bhcs



**Build
two!**

:: Belt, Tensioners, Spur Gear, and Covers Assembly (cont.)

89528
M3x5.6mm
washer

31531
M3x5mm
bhcs

91091
M2.5x5mm
washer

91159
M2.5x5mm
shcs

#1596
thread lock

See notes!

To adjust the belt tensioner, you need to remove the #91159 shcs and the #91091 washer. Loosen the #31531, adjust the belt tensioner, and reinstall the #91091 washer and the #91159 shcs.

:: Belt, Tensioners, Spur Gear, and Covers Assembly (cont.)

91090
Slipper
thrust
washer

91090
Slipper
thrust
spacer

91090
Slipper
thrust
bearing

91167
Rear pulley,
20T
(no markings)

91092
Slipper hub
bushing

91092
Inner slipper
hub

Install in this direction on top shaft

Install inner slipper hub in this direction on top shaft

The included optional 19 tooth pulley is marked with a "U" (underdrive).

:: Belt, Tensioners, Spur Gear, and Covers Assembly (cont.)

91093
4X4 drive
belt

Install the belt between the rear pulley and the rear belt tensioner. Then slide the belt over the front pulley. Ensure free rotation!

:: Belt, Tensioners, Spur Gear, and Covers Assembly (cont.)

89528
M3x5.6mm washer

31531
M3x5mm bhcs

#1596
Thread lock

91159
M2.5x5mm shcs

91091
M2.5x5mm washer

91094
Spur gear (32P - 62T) (550 motors)

91097
Spur gear (48P - 93T) (540 motors)

9603 X2
Slipper pads

See notes!

To adjust the belt tensioner, you need to remove the #91159 shcs and the #91091 washer. Loosen the #31531, adjust the belt tensioner, and reinstall the #91091 washer and the #91159 shcs.

:: Belt, Tensioners, Spur Gear, and Covers Assembly (cont.)

91090
Spring adapter

91090
Slipper spring

25216
M3 locknut w/flange

7485
V2 slipper hub

Note:
Tighten if clutch slips excessively when driving!

3.5mm

:: Belt, Tensioners, Spur Gear, and Covers Assembly (cont.)

91089
4X4 belt cover cap

25620
M3x10mm shcs

91088
Front outer belt cover

91088
Center belt cover (outer)

89218 X2
M3x8mm washer

31532 X2
M3x8mm bhcs

91088
Center belt cover (inner)

89223
M3x8mm shcs

25201 X2
M3x8mm fhcs

:: Electronics Installation

!
Do not overtighten the belt cover screws!

!
Motor, pinion, and setscrew not included!

!
Install the pinion to the motor shaft so the end of the pinion sticks out 18.5mm from the face of the motor!!

18.5mm

:: Electronics Installation (cont.)

89223 Σ 2
M3x8mm shcs

89528 Σ 2
M3x5.6mm steel washer

91089
Belt cover cap

91088
Rear outer belt cover

25190 Σ 2
M3x14mm shcs

:: Electronics Installation (cont.)

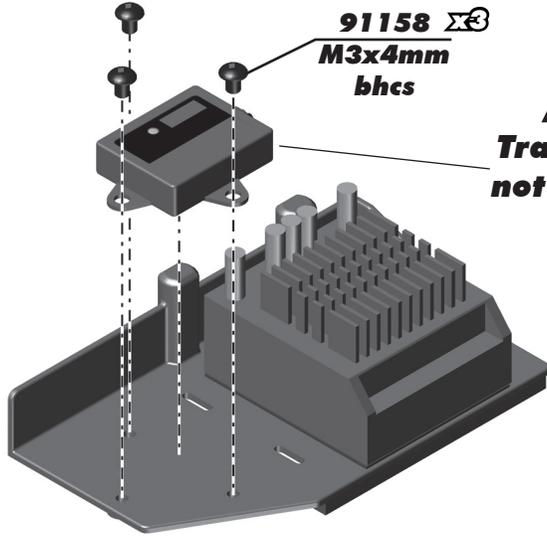
91152
ESC mount

91152
ESC mount foam

!
ESC not included!

6727
Servo tape

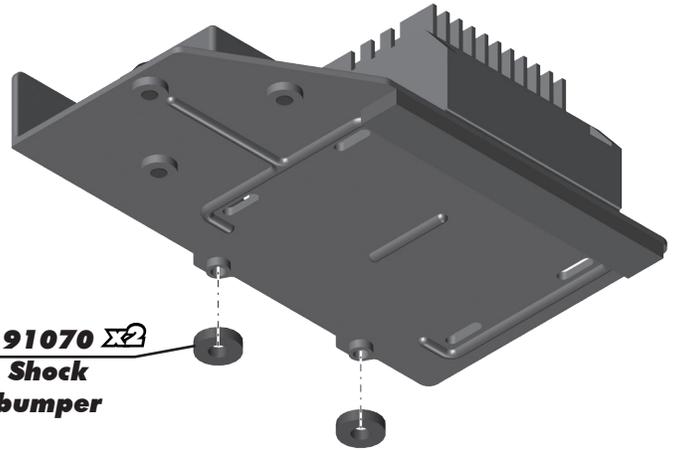
:: Electronics Installation (cont.)



91158 Σ3
M3x4mm
bhcs

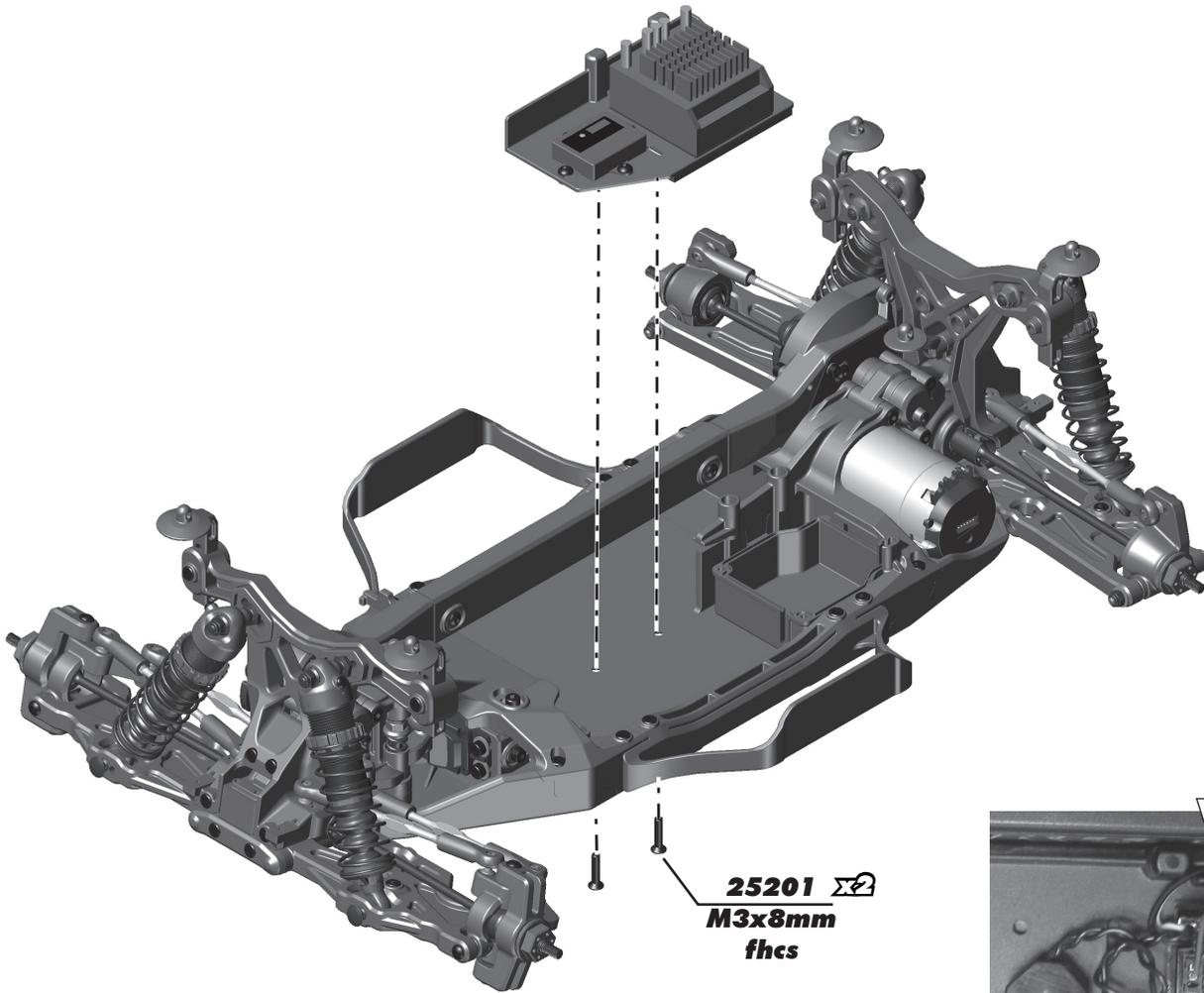


**Transponder
not included!**



91070 Σ2
Shock
bumper

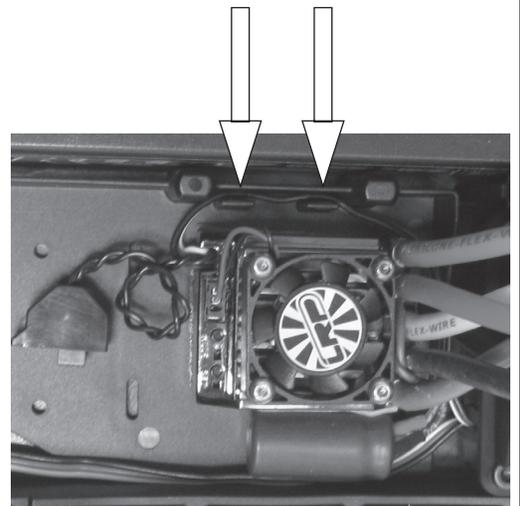
:: Electronics Installation (cont.)



25201 Σ2
M3x8mm
fhcs



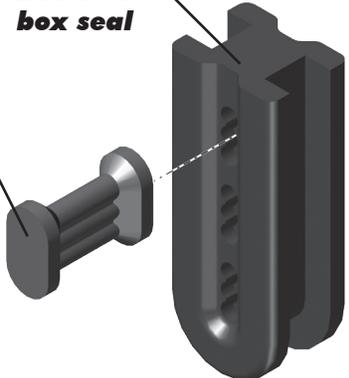
**Use the tabs on the
electronics tray to
route your ESC and
transponder wires!**



:: Electronics Installation (cont.)

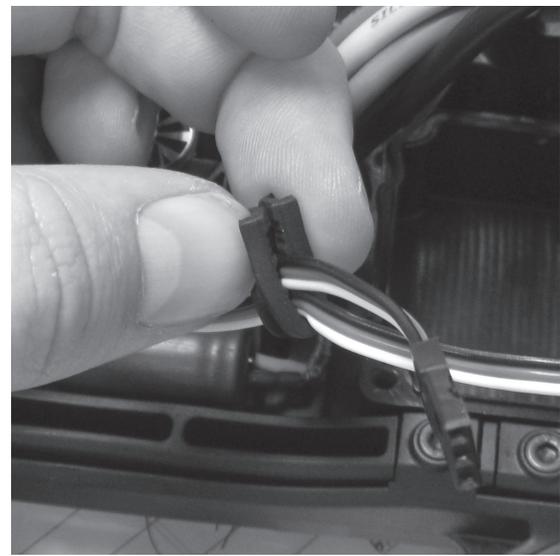
91087 Receiver box seal

91152 Receiver grommet plug

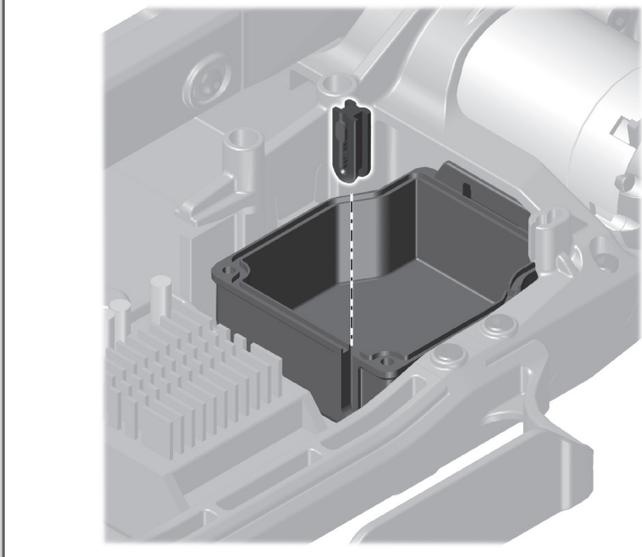


!

Receiver grommet plug can be removed if you use a personal transponder!



:: Electronics Installation (cont.)



:: Electronics Installation (cont.)

6727 Servo tape

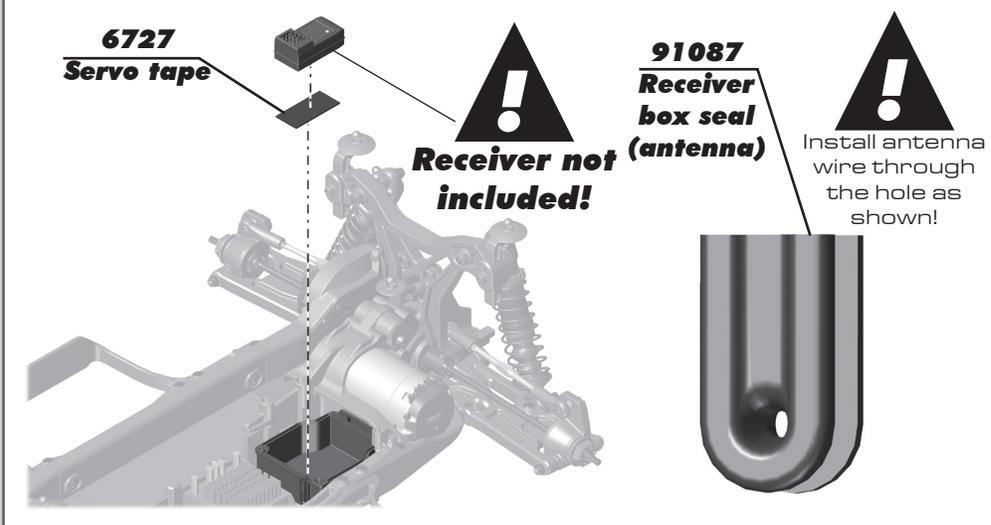
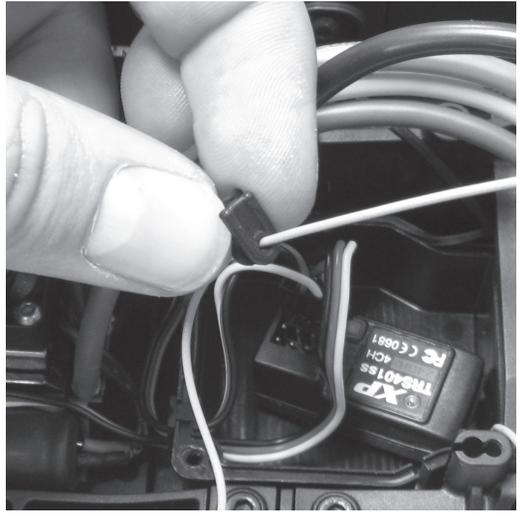
!

Receiver not included!

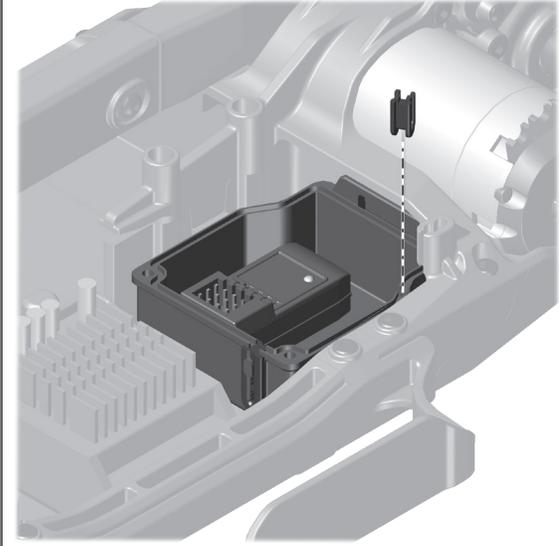
91087 Receiver box seal (antenna)

!

Install antenna wire through the hole as shown!

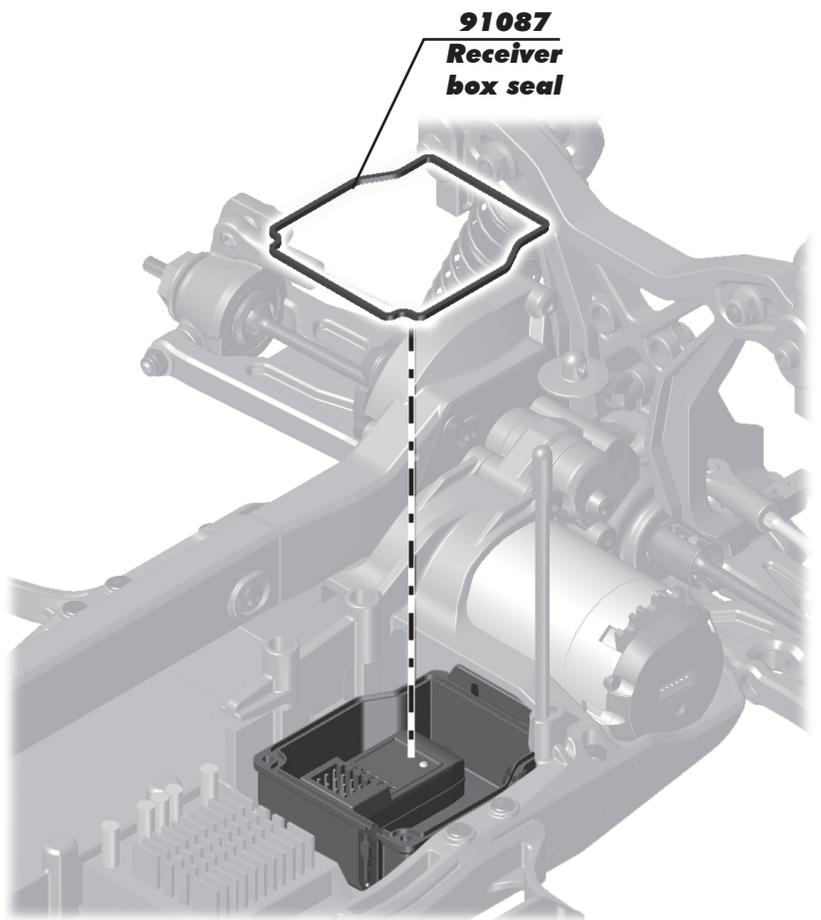
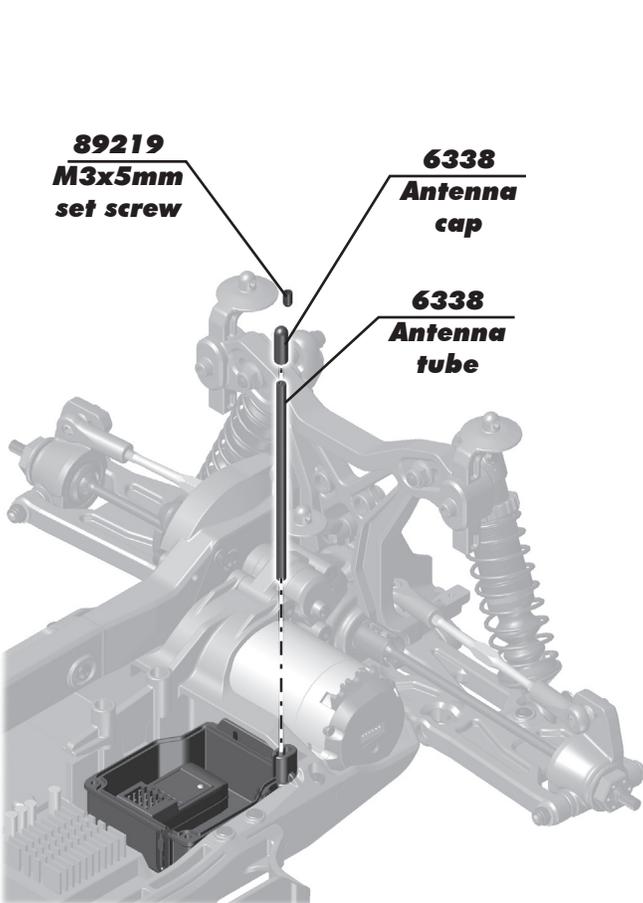



:: Electronics Installation (cont.)

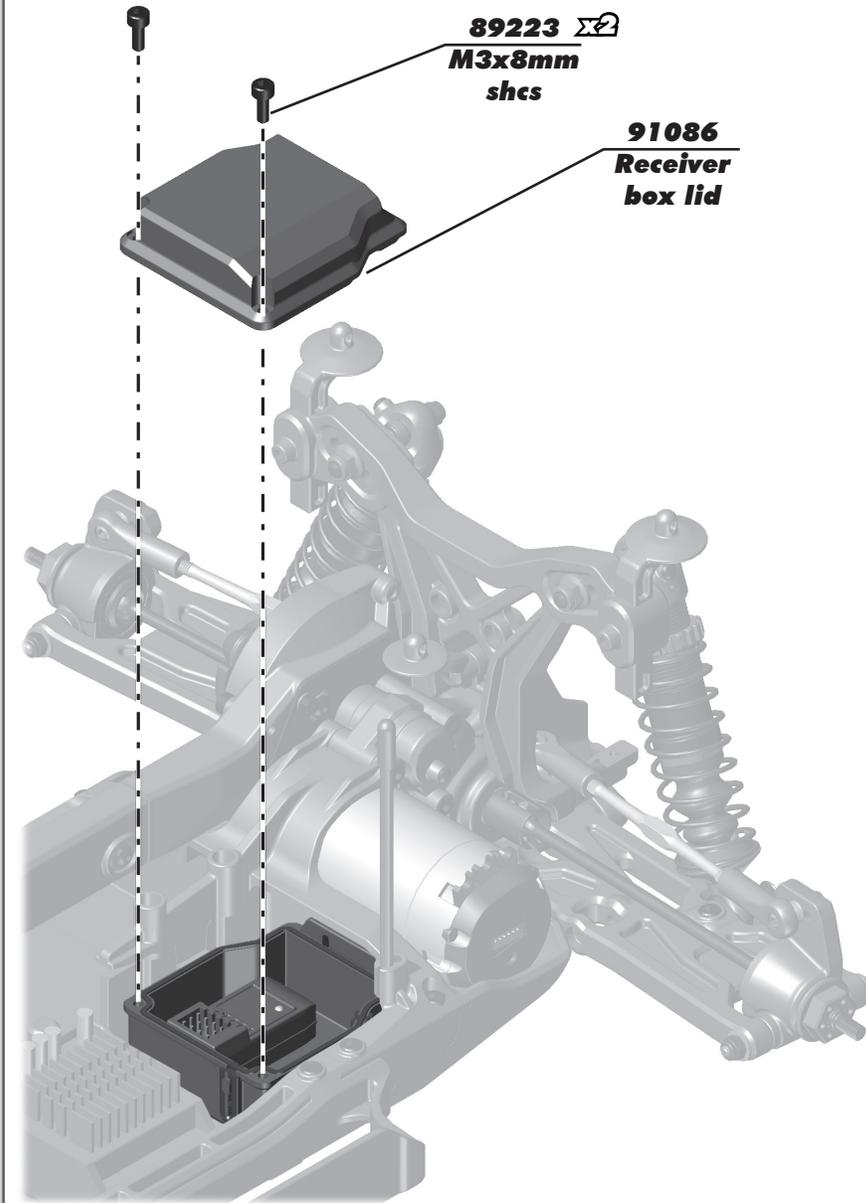


Trim the antenna tube to fit the amount of antenna wire that will be sticking out of the receiver box before installation!

:: Electronics Installation (cont.)



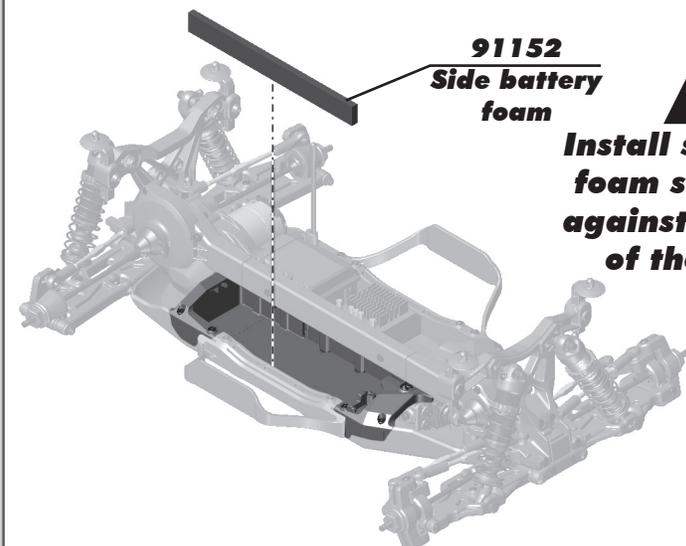
:: Electronics Installation (cont.)



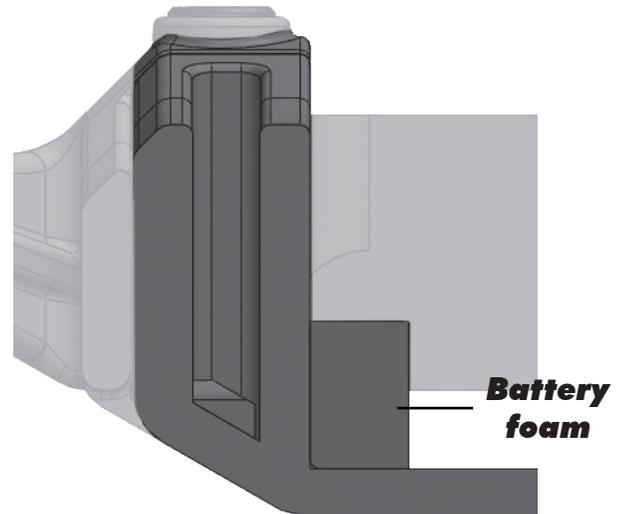
The receiver box lid will have to be installed at an angle due to the tabs on the back of the lid!



:: Electronics Installation (cont.)



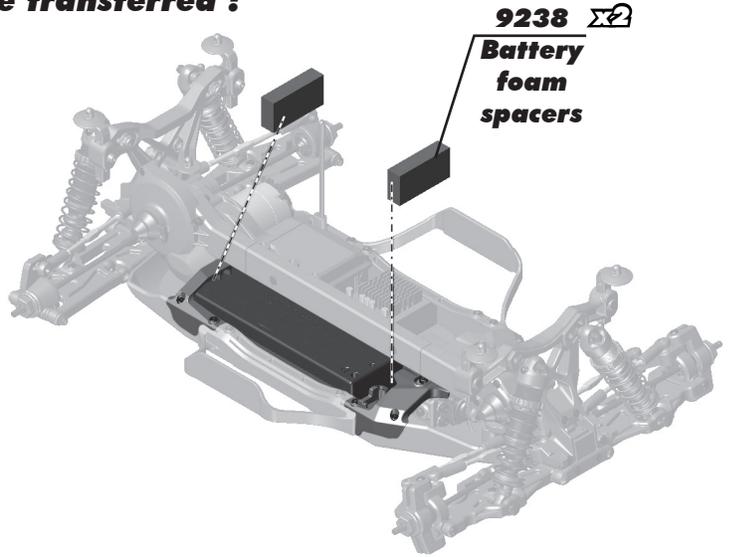
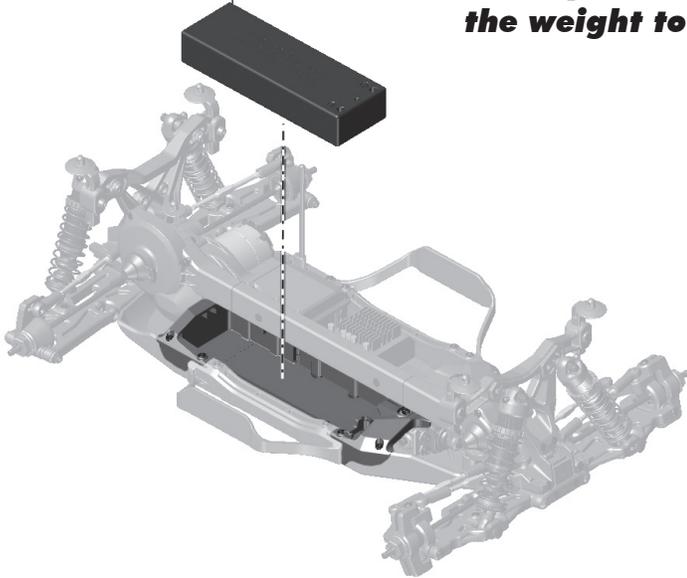
Install side battery foam so it is flush against the bottom of the chassis!



:: Electronics Installation (cont.)

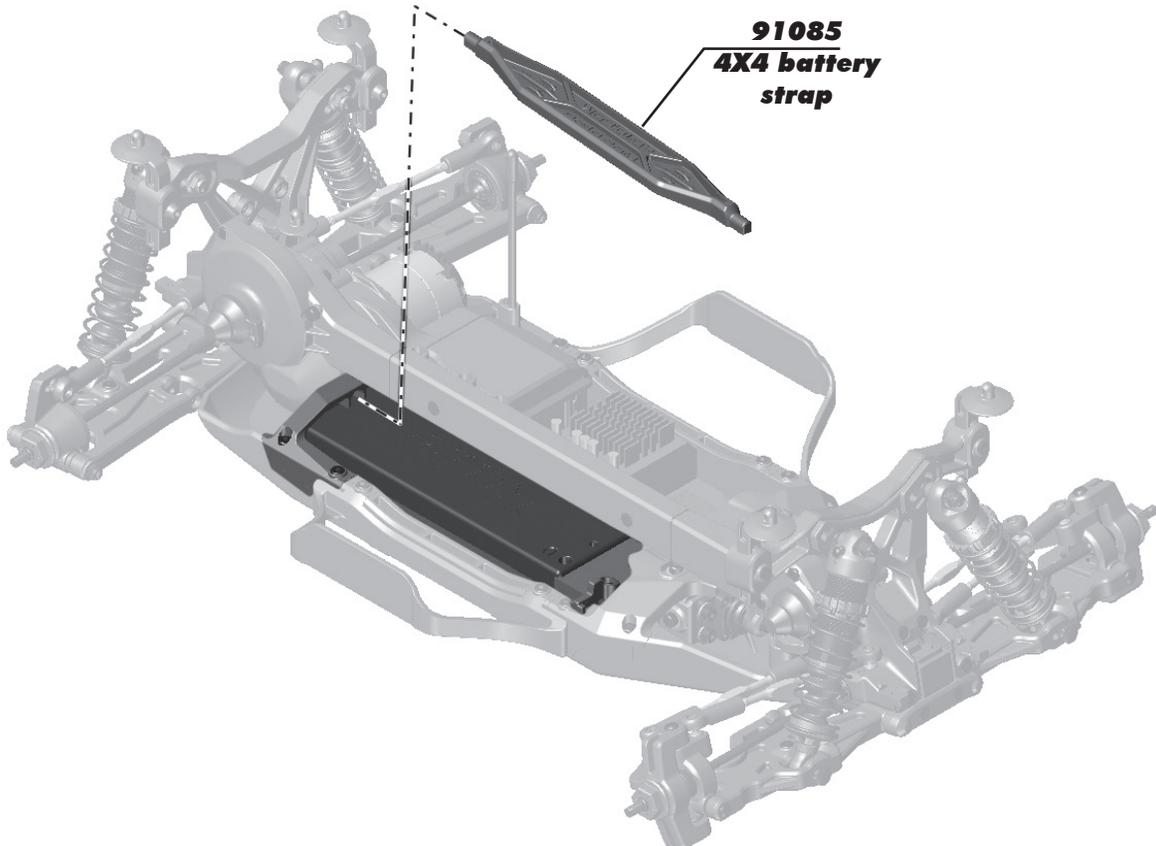
!
Battery not included!

!
 You can install the battery foam spacers to either have the battery positioned forward, middle, or back, depending on how you want the weight to be transferred !

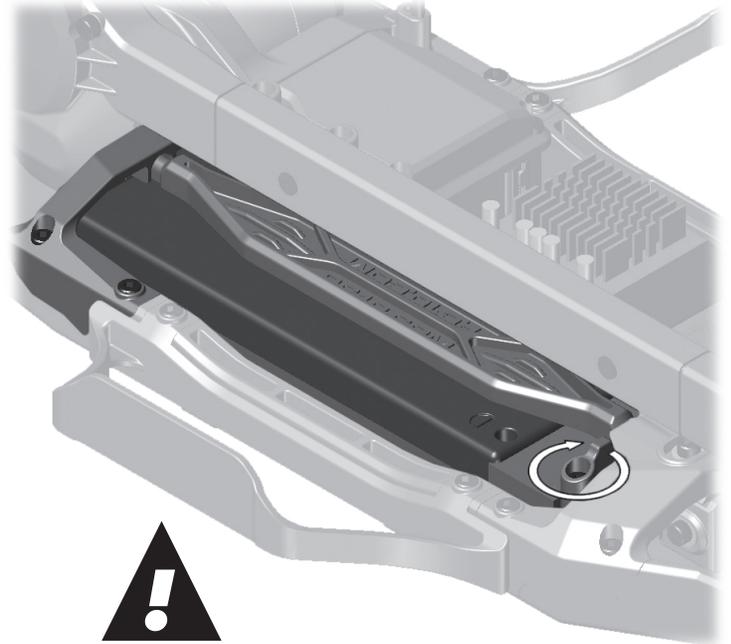
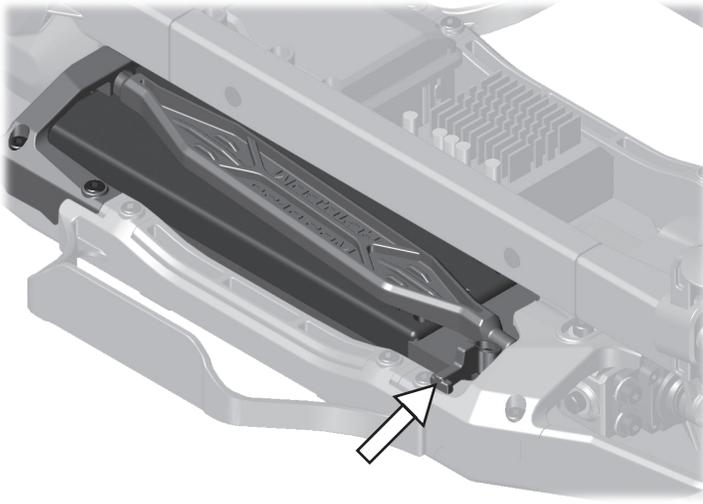


9238 
Battery foam spacers

:: Electronics Installation (cont.)



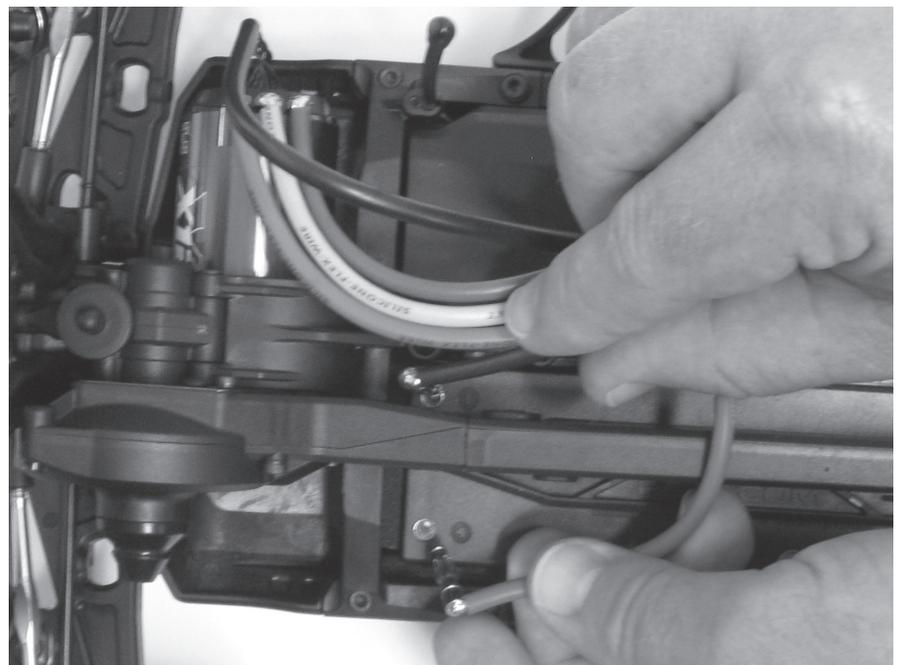
91085
4X4 battery strap

:: Electronics Installation (cont.)

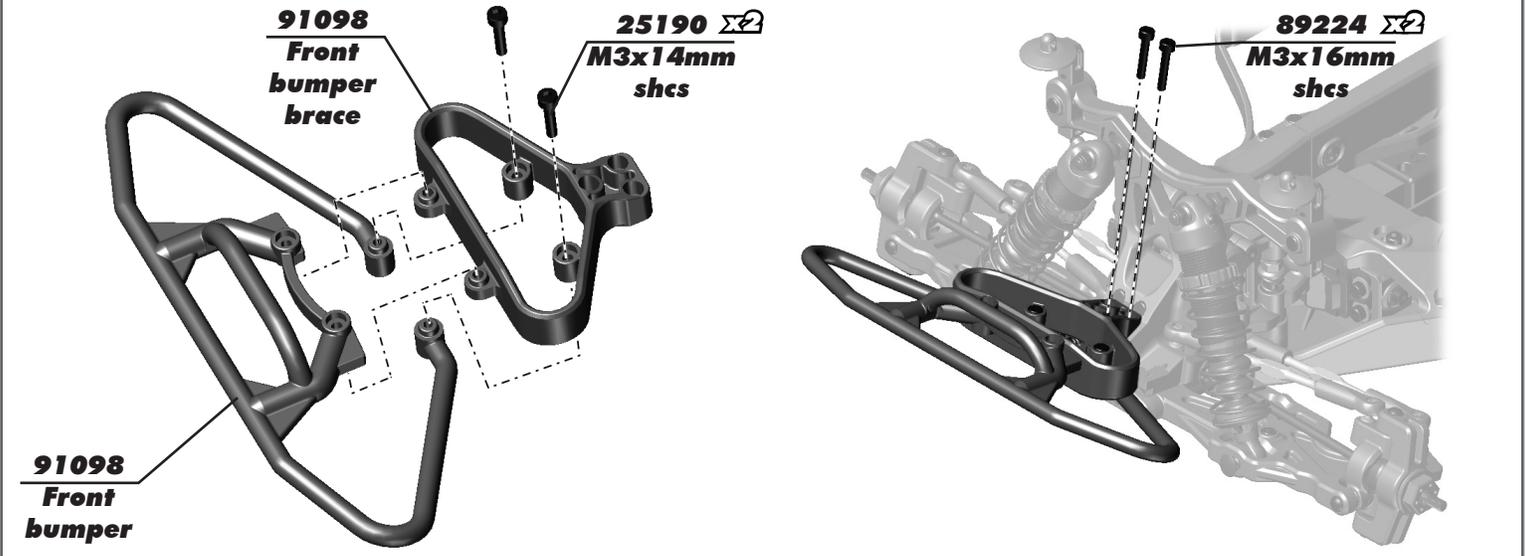
Twist the battery strap knob to the right to lock the battery strap into place!

:: Electronics Installation (cont.)

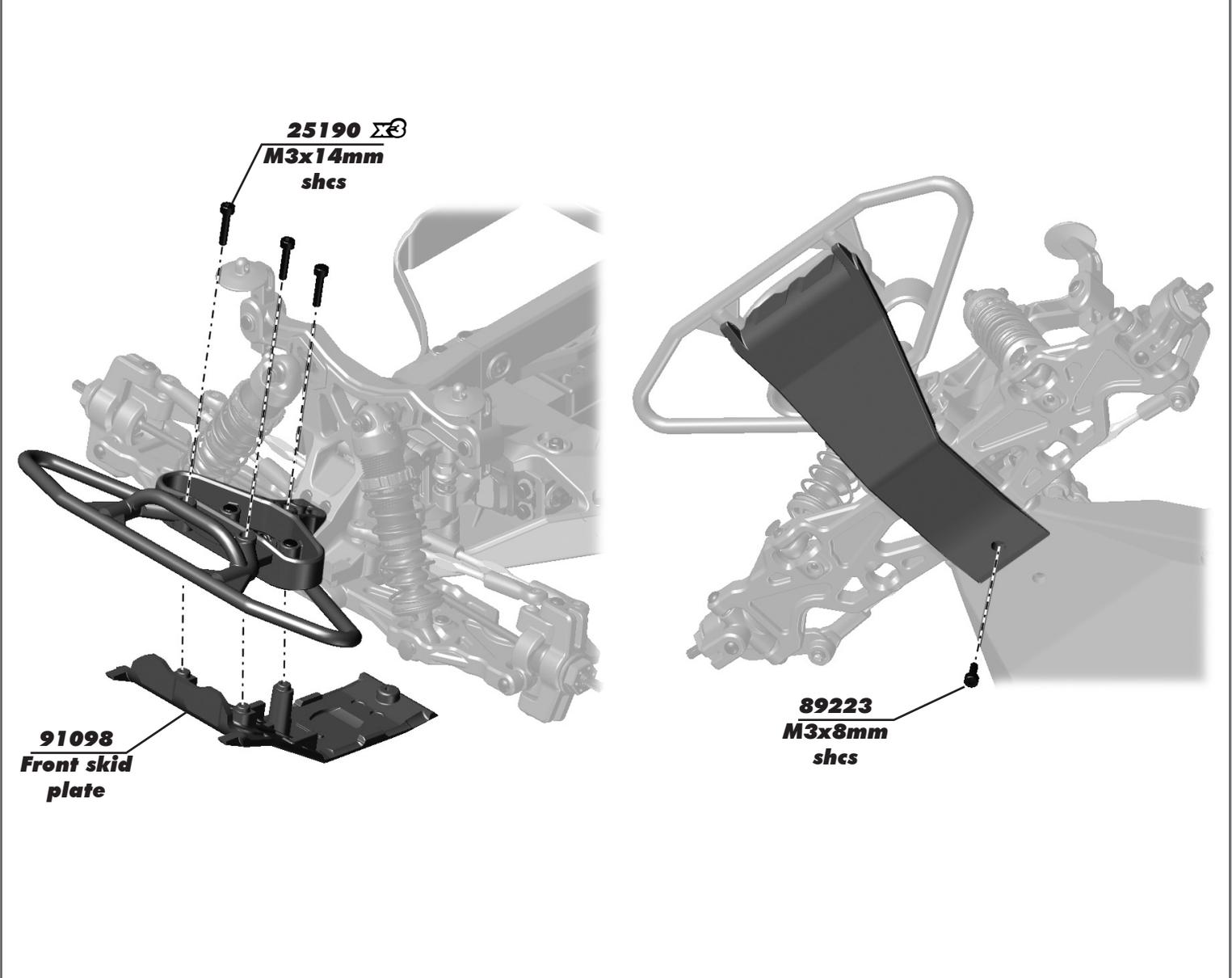
You can run the battery wires above or below the belt cover!



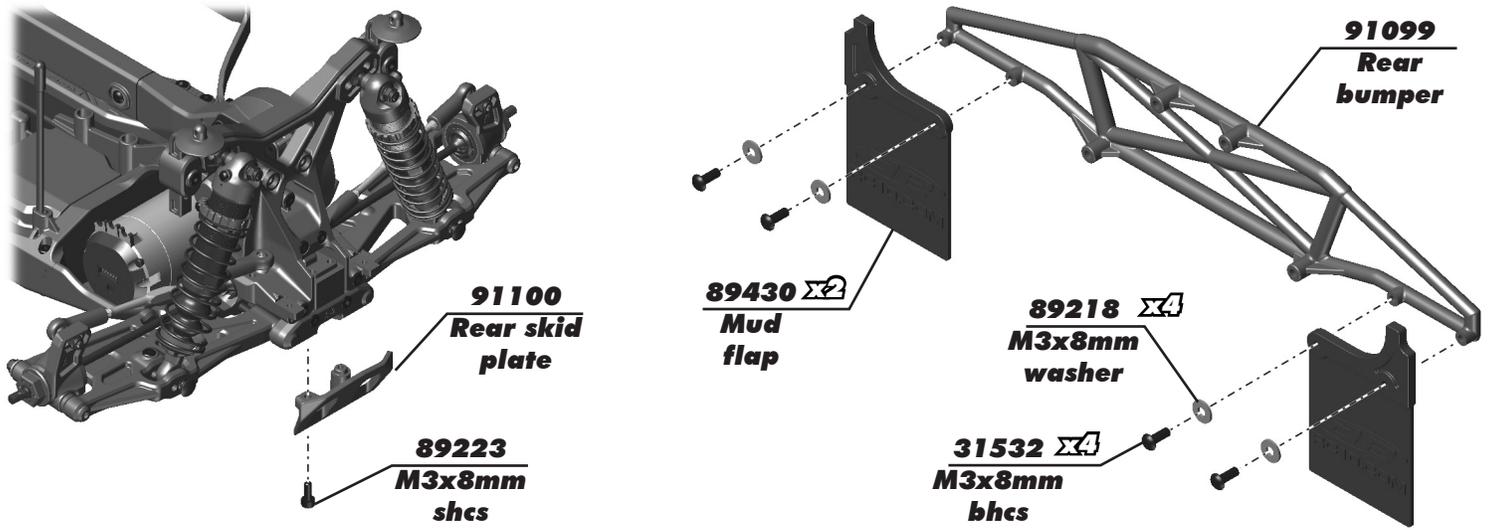
:: Front Bumper Assembly



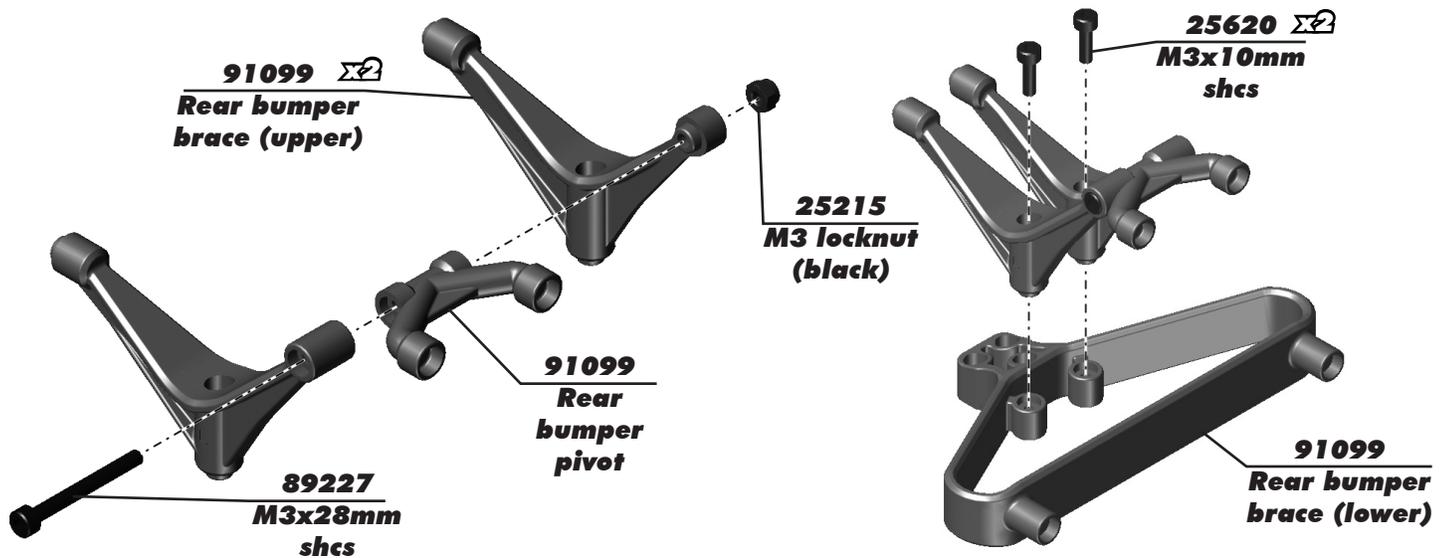
:: Front Bumper Assembly (cont.)



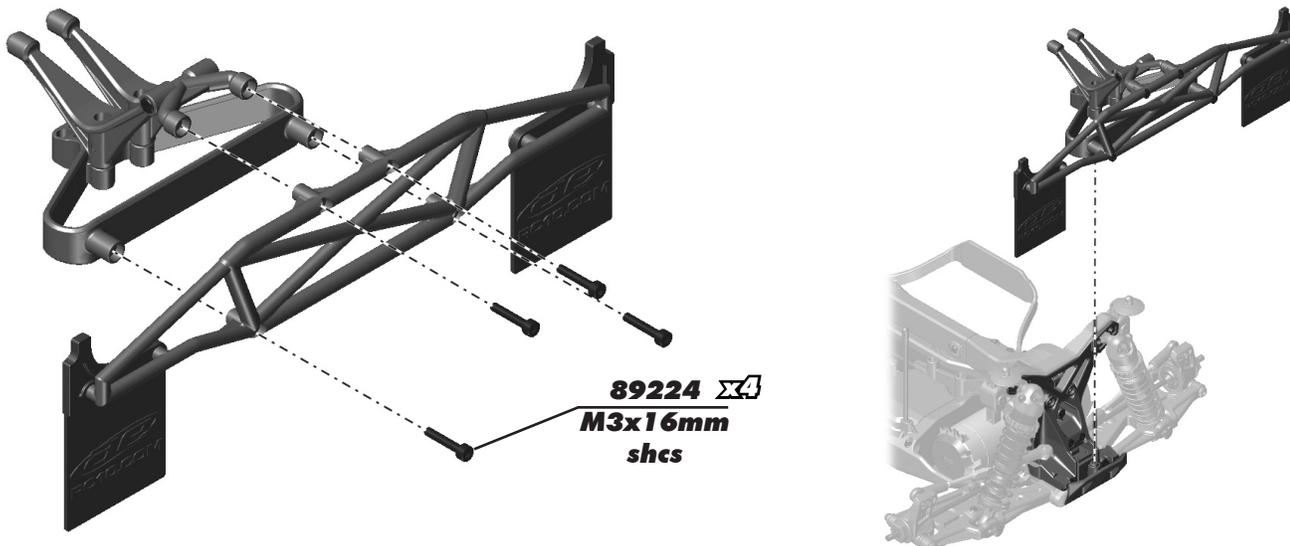
:: Rear Bumper Assembly



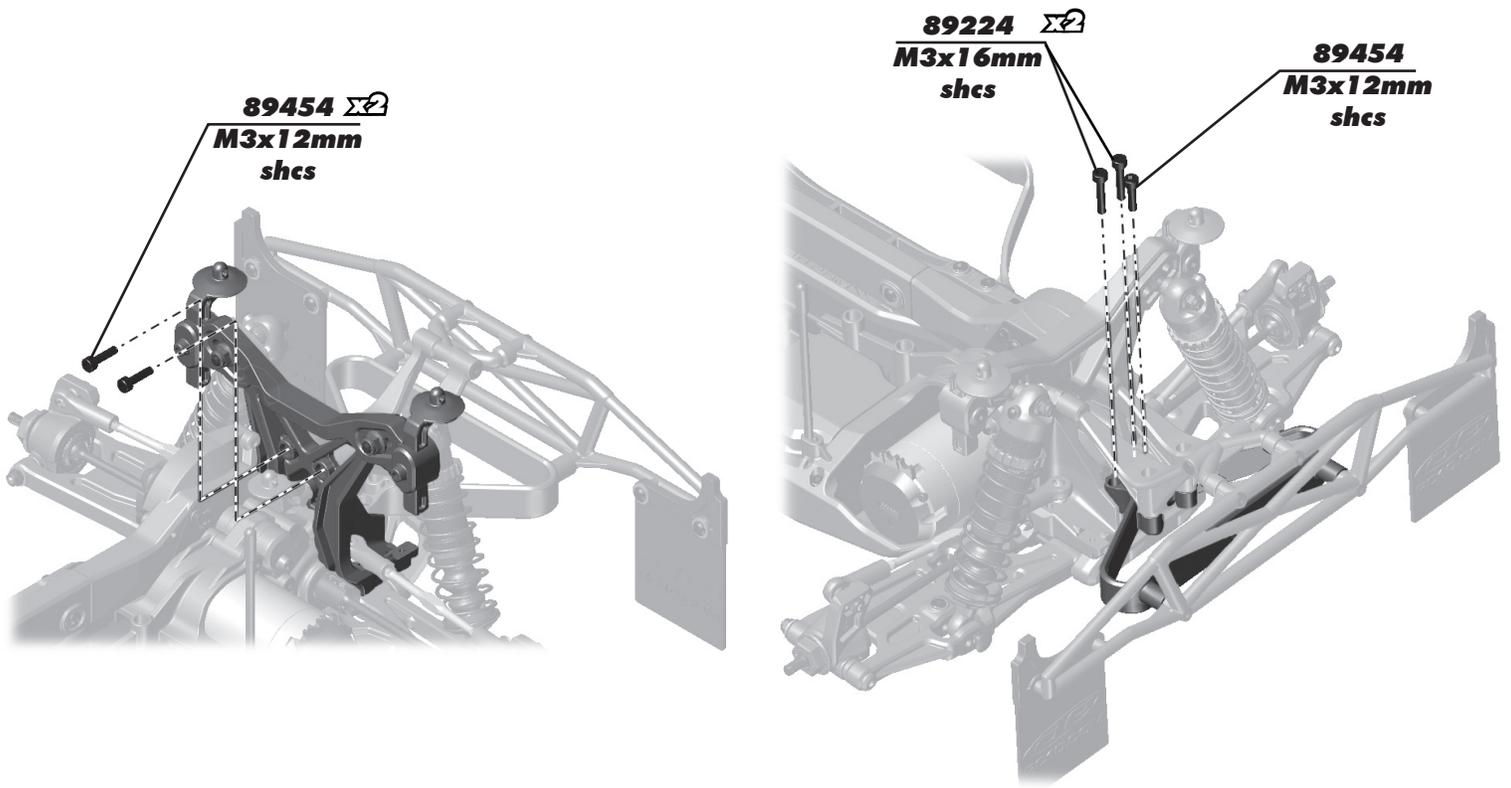
:: Rear Bumper Assembly (cont.)



:: Rear Bumper Assembly (cont.)



:: Rear Bumper Assembly (cont.)



:: Wheel and Tire Assembly



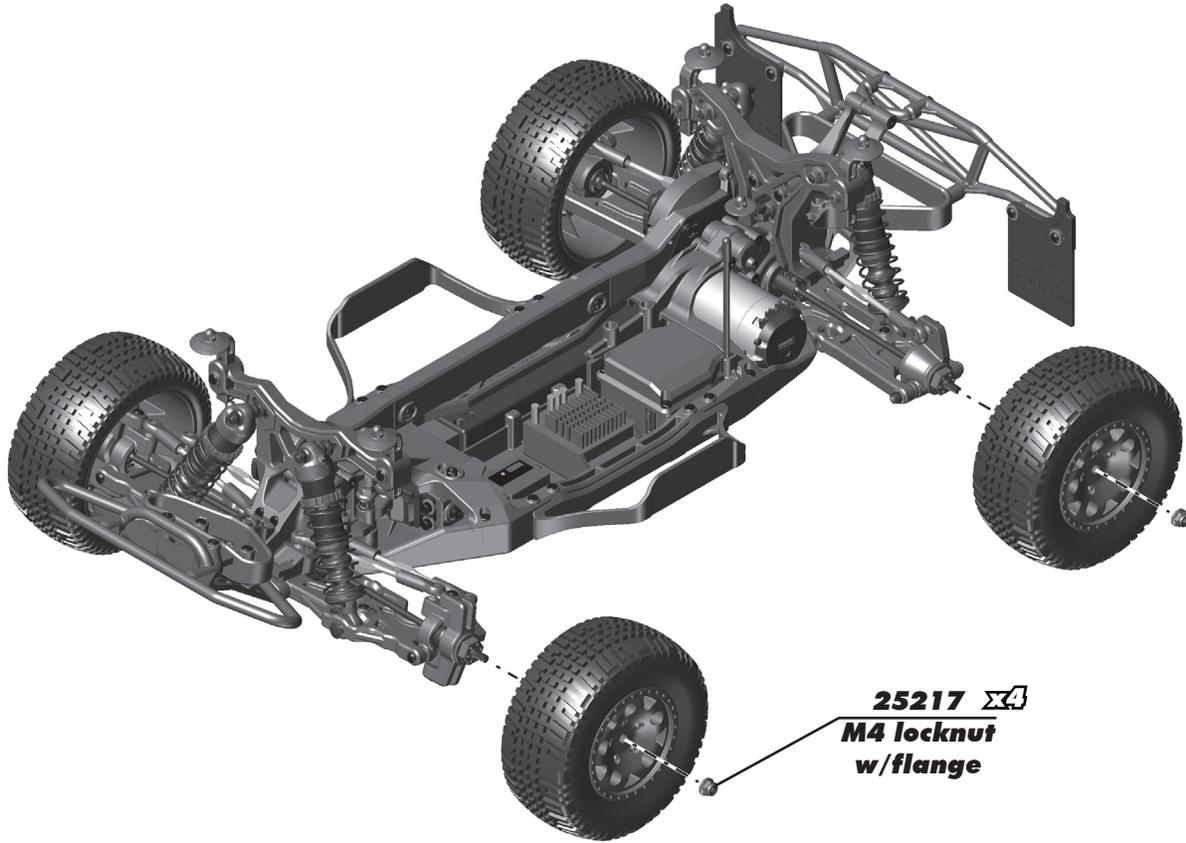
!
 Note: Clean the rims and tires where the two will mount to each other before you glue them together. You can clean them with either rubbing alcohol, or r/c electric motor spray.

Use CA glue # 1597 to glue the tire to the wheel. Glue one side at a time, allowing enough time for the glue to dry before continuing to the other side. Tip: You can use a rubber band to hold the tire tight against the wheel while the glue is drying.

!
CA glue is not included!

!
Build 4!

:: Wheel and Tire Assembly (cont.)



25217 x4
M4 locknut
w/flange

:: Body

Body :

Your SC10 4x4 kit comes with a clear polycarbonate body. You will need to prep the body before you can paint it. Wash the inside thoroughly with warm water and liquid detergent. Dry the body using a clean, soft, lint-free cloth. Use the supplied window masks to cover the windows from the INSIDE of the body (RC cars get painted from the inside). Using high quality masking tape, apply tape to the inside of the body to create a design. Spray (either rattle can or airbrush) the paint to the inside of the body (preferably dark colors first, lighter colors last). NOTE: use ONLY paint that is recommended for use with [polycarbonate] plastics. If you don't, you can destroy the plastic body!!!!].

After painting, cut the body along the trim lines. Remove overspray protectant film. Make sure to drill or use a body reamer to make the holes for the body mounts, antenna, and number plates. Add some stickers, and your ready to race!

9837
SC10 09'
clear body
number plates
(right/left sides)



6222 x10
Nylon locknuts
4/40/5-40

9837
SC10 09'
clear body
rear fin



6288 x10
4-40x1/4
bhcs

:: Body (Cont.)

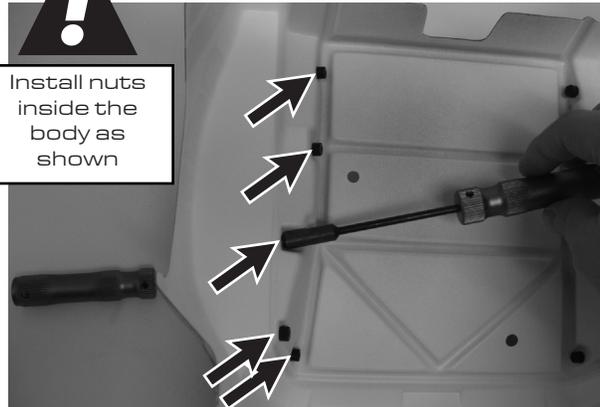
9837
SC10 09'
body
(clear)

!
Install screws
outside the
body as
shown



!

Install nuts
inside the
body as
shown

**:: Body (cont.)**

91160 **x4**
Body clip
1.3mm

**:: Final Adjustments****Tips for Beginners:**

1. Place your car on a block or stand so that all 4 wheels are elevated and free to move. Remove the body.
2. Turn the transmitter ON.
3. Connect your battery pack and turn the ESC (electronic speed control) power switch ON.
4. Turn the steering wheel on the transmitter until the vehicle does not respond, check your battery connection, ESC plug, and servo plug are all installed correctly. If both systems are powered on, then refer to your transmitter manual for help on setting up your radio systems.
5. If the steering is working, check that the wheels turn left when you turn the transmitter wheel to the left. If not, then you must check the servo reversing switches (see transmitter manual).
6. Adjust the steering trim setting on the transmitter until the steering rack (page 7) is centered in the car. Then, adjust the steering turnbuckles (page 19) so that both front wheels point straight forward. Use the steering trim to fine-tune the centering adjustment once you finish the checklist and start driving your car.
7. Now connect the motor to the ESC (refer to ESC instructions for proper installation).
8. Set the ESC according to the manufacturer's instructions. **WARNING:** Some ESC's have the motor dis-connected during setup and some do not. You risk damaging your brushless system if you do not follow the manufacturer's instructions.
9. Check that your ESC settings are working by lightly applying the throttle and brake.
10. Re-install the body. You are now ready to drive!
11. **REMEMBER** that the transmitter is the first to be turned on and the last to be turned off. Always operate your R/C vehicle in a safe area clear of any vehicles, pedestrians, or animals.

:: Tuning Tips

Tips for Beginners:

Before making any changes to the standard setup, make sure you can get around the track without crashing. Changes to your vehicle will not be beneficial if you can't stay on the track. Your goal is consistent laps.

Once you can get around the track consistently, start tuning your vehicle. Make only ONE adjustment at a time, testing it before making another change. If the result of your adjustment is a faster lap, mark the change on the included setup sheet (make additional copies of the sheet before writing on it). If your adjustment results in a slower lap, revert back to the previous setup and try another change.

When you are satisfied with your vehicle, fill in the setup sheet thoroughly and file it away. Use this as a guide for future track days or conditions.

Recommended Motor Gearing:

To calculate your SC10 4x4 Final Drive Ration (a.k.a. gear ratio), use the following formula:
 $(\text{spur gear \# teeth}) / (\text{pinion gear \# teeth}) \times 2.57 = \text{Final Drive Ratio}$

SC10 4X4 48 pitch gear chart - 2.57:1

SC10 4X4 32 pitch gear chart - 2.57:1

Motor Gearing Chart

Motor	Gear Pitch	Pinion	Spur	(Final Drive Ratio) : 1
4.5 turn, 550 size	32	12	62	13.28
5.5 turn, 550 size	32	13	62	12.26
5.5 turn, 540 size	48	15	93	15.94
6.5 turn, 540 size	48	16	93	14.94
7.5 turn, 540 size	48	17	93	14.06

	58	60	62	87	93
11	13.55	14.02	14.49	15	14.91
12	12.42	12.85	13.28	16	13.97
13	11.47	11.86	12.26	17	13.15
14	10.65	11.01	11.38	18	12.42
15	9.94	10.28	10.62	19	11.77
				20	11.18
				21	10.65
				22	10.16

Differential:

The SC10 4wd heavy duty differentials (a.k.a. "diffs") are o-ring sealed, and can be filled with silicone fluid. The recommended starting setup is 3000 CST, and normally between 2000-7000 CST differential fluid will work best. For less low-speed steering, try running the front differential thicker than the rear (example, 3000 CST rear; 5000 CST in front). The truck will have the best cornering balance with more similar fluids in the front and rear diffs.

Slipper Clutch:

The assembly instructions give you a base setting for your slipper clutch. The SC10 4wd clutch is de-coupled, so the outer slipper hub drives the rear wheels and the inner slipper hub drives the belt to the front. The Team recommend making slipper settings at the track, where the grip level is at race conditions. Torque bias front and rear is adjustable by changing the center hole diameter in the slipper pads.

Belt Tension:

The SC10 4x4 belt is 5mm wide neoprene canvas backed. It will stretch slightly over its life, so the belt tensioners will need to be adjusted from the initial settings after about 20-30 minutes of running. By touch, the belt should feel tight when pressing on top surface between the pulleys, and you should only be able to depress the belt about 3mm or 1/8". After an initial run-in on the truck and setting the belt tension, you can verify that there is not excessive belt drag. With the motor pinion removed, the truck should roll 10-15 feet with a slight push on level, smooth ground.

On the setup sheet, the tension slots are broken into 5 tension locations, with 3 being the middle. Since the rear pulley is the drive, we will start with tension setting 3 in rear; and 4 in front. As the belt breaks-in, adjust the front tensioner tighter until you are at the mid 3 setting. After that, any future tension adjustments to tighten the belt should be made equally front and rear.

Belt Tension with 19 Tooth Front Over-Drive or Rear Under-Drive Pulleys:

WARNING: Do not run the 19 tooth pulley for both front and rear. Only run one 19 tooth pulley on the truck at any time. Changing the drive pulleys only affects front wheel speed. The drive speed of the rear wheels is fixed through the gearbox. If you want to try the optional 19 tooth over-drive "O" front pulley OR 19 tooth under-drive "U" rear pulley, then you will need to set the tensioner to setting 1 (tightest setting) on the end of the car with the smaller 19T pulley. Then adjust the belt tension on the opposite pulley to get the proper overall tension (usually 3 or 2 tension setting on the opposite gearbox). The Team recommend to start with the standard 20 tooth pulleys (equal drive) and then test the alternate pulleys to determine which works best for you.

Front over-drive ("O" pulley in front) makes the front wheels turn faster than the rear, and gives the front end more drive mid-to-exit. This can improve the steering feel in lower grip situations, or whenever you want more grip and steering.

Front under-drive ("U" pulley in rear) makes the front wheels turn slower than the rear, which can also help stabilize the truck in certain conditions. You must dis-assemble the slipper clutch to change the rear pulley.

:: Tuning Tips (cont.)

Front Clicker:

For your first run with the SC 10 4x4, we recommend to start with full-time 4wd until you get a feel for the truck. Then, you can try loosening the front clicker nut which will allow the clicker to operate.

The front clicker will take away front wheel braking and let the front tires spin freely off-power. This gives the front end more grip, and gives more steering in the turns. To allow the clicker to operate, set the nut at 2mm gap between the nut and the end of the front topshaft. If you want to lock the clicker (called "full-time 4wd") then tighten the nut until it bottoms (about 3mm or more gap from the nut to the end of the topshaft).

If you are running full-time 4wd with the clicker nut locked down, you may hear the belt skip 4-5 teeth as it changes direction from drive to brakes at top speed. Under normal circumstances, the belt should not skip under braking from anything but top-speed (30+ m.p.h.). Running full-time 4wd will put more stress on the belt, and belt wear should be monitored more closely, inspecting the belt and pulleys after every day of running (about 45 minutes run time).

Shock Piston and Fluid:

The SC 10 4x4 kit is built with 4 hole, 1.2mm hole diameter pistons. All pistons have a number molded into the top. 12 denotes 1.2mm diameter holes. The optional 1.1 and 1.3mm hole diameter pistons are included.

As a rule of thumb, larger hole pistons decrease damping which can help the truck in bumpy and low-grip situations. On smoother tracks, or for large jumps, you may want use smaller hole pistons which increase damping and take away some grip.

Typically, your SC 10 4x4 shocks will work best with shock fluid rates between 25 and 35 wt (275 - 425 CST). Use the thicker fluids in the range when changing to larger hole pistons, and also use the thinner weight fluids when changing to a smaller hole pistons.

Front Camber Link Length & Number of Washers Under Ballstuds:

Changing the length of the camber link is considered a bigger step than adjusting the ballstud height. Your first setting change on the track should be to try the inside vs. outside locations on the shock tower. Typically shortening the camber link (or lowering the ballstud) will give the front end less grip which is more stable. Lengthening the camber link (or raising the ballstud) will give the front more grip at low speed but it can have slower steering response mid-to -exit of the turns.

Front Camber:

A good starting camber setting is -1 degrees (top of the tire leaning in). Positive camber, where the top of the tire is leaning out, is typically not recommended. Trick: Set your car on a flat surface, and set a soda can next to your tire as a reference for vertical, or zero camber. Both sides should be equal in setting. For serious racers, Associated makes the # 1719 Factory Team camber gauge.

Front Toe-in:

Zero degree toe-in (tires pointing straight forward) is the setting that should be used in almost all track conditions. Occasionally you can increase turn in by adding a little toe-out (front of tires point slightly out). Front toe in is not a typical tuning adjustment used by The Team.

Front Arm Hole:

The kit blue springs and outside front arm hole will work best in most cases. Changing to the inner hole will soften the suspension and give more front end grip. Typically you will want to change to a heavier spring when changing arm hole location inward.

Front Tower hole:

The kit setting of the middle hole is a good standard setting for most tracks. Moving the shock out on the tower will make the truck easier to drive and normally will decrease entry steering but increase mid to exit steering. When running the inside tower hole, try running a heavier spring to compensate for the steeper shock angle.

Front Ride Height:

The standard front ride height setting is 27mm (without body). Check the ride height by lifting up the entire truck about 8-12 inches off the bench and drop it. After the suspension "settles" into place, raise or lower the shock collars as necessary until there is 27mm gap from the bottom of the chassis to the ground.

Tuning Guide: Making large ride height adjustments up or down from this setting will tend to make the truck feel unpredictable.

:: Tuning Tips (cont.)

Anti-Squat:

Anti-squat denotes the angle of the rear arms relative to the ground. Zero anti-squat means that the rear arms are flat, parallel with the ground. The kit setting is 2 degrees, and can be increased to 3 degrees of anti-squat by changing to the included 3+3 rear suspension mount. Adding anti-squat tends to make the car "rotate" more in corners, but doesn't handle as well through the bumps.

Rear Camber Link Length & Number of Washers Under Ballstuds:

Changing the length of the camber link is considered a bigger step than adjusting the ballstud height on the rear chassis brace. Typically shortening the camber link (or lowering the ballstud) will give the rear end less roll and the car will tend to accelerate or "square up" better. Lengthening the camber link (or raising the ballstud) will give the rear more roll and more cornering grip. You should normally use the kit setting (inside on tower; middle "B" hole on hub) and only adjust the ballstud height.

Rear Hub Spacing:

You have 3 options for rear hub spacing, FORWARD, MIDDLE, & BACK. The kit setting MIDDLE provides the most rear traction, and will be used most often. For additional weight on the rear tires in slick conditions, run hubs FORWARD. For improved handling in bumps or rhythm sections, try moving the hubs to BACK. This can also make the car handle better in 180 degree turns.

Rear Camber:

A good starting camber setting is -1 degrees. Use the included #1719 camber gage to set your camber as seen below. Adding a small amount of positive camber, where the top of the tire is leaning out, will tend to improve straight-line acceleration on loose tracks.

Front and Rear Swaybars:

The optional #91123 4x4 front and #91124 rear swaybar set (a.k.a. anti-roll bar set) allows you to add roll resistance to stabilize the truck in turns. The recommended bars are 1.5, 2.0, and 2.2 mm (from softest to stiffest).

Start with the same diameter wire front and rear. A swaybar has minimal effect on handling over bumps and jumps. It is especially helpful tuning item if your truck needs high-speed stability to stop traction rolling.

Rear Arm Hole:

The inner hole in the arm tends to work the best over the bumps and jump sections. Changing to the outer hole in the rear arm will tend to make the rear end feel more "locked in" and less responsive. You may need to run a softer spring when using outside in the rear arm.

Rear Tower Hole:

Try adjusting the shock tower hole before changing springs or arm mount location. The kit setting of the middle hole will be optimal on most tracks. Moving the shock out on the tower will increase typically yield more sidebite (cornering traction) on corner exit and less bite on entry. Moving the shock in on the tower will yield more stability on entry and less cornering traction on exit, and is typically better in bumps.

Rear Ride Height:

The rear ride height setting you should use most often is 27mm (without body). Check the ride height by lifting up the entire truck about 8-12 inches off the bench and drop it. After the suspension "settles" into place, raise or lower the shock collars as necessary until there is 27mm gap from the bottom of the chassis to the ground. The chassis should look level from the side.

Tuning Guide: Making large ride height adjustments up or down from this setting will tend to make the car feel unpredictable.

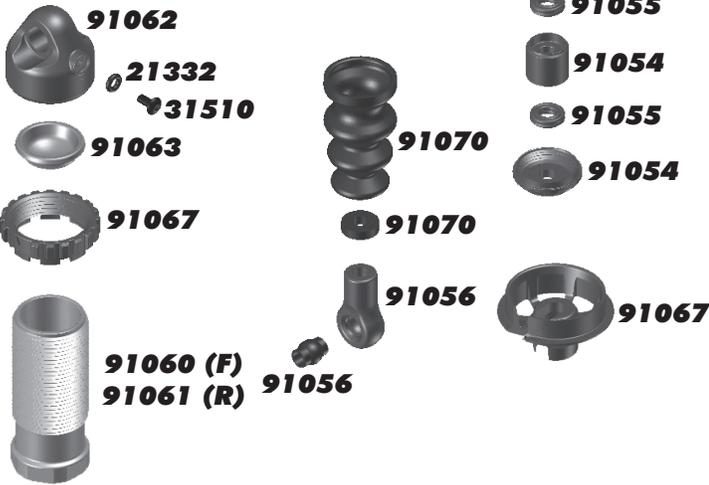
Setup Sheets:

Most often, the best way to get your car handling right is to go to our website www.rc10.com and click on the links to Setup Sheets, then SC10 4x4 setups. Our team of professional drivers help develop these setups at National events. Also, most drivers have a "base" setup that they use as a starting point for every event. Try running some of our base setups OR look for track conditions and tires that are similar to your local track and mimic that setup.

Remember, each adjustment has a purpose, so copy everything from the setup sheet and then make adjustments based on the recommendations in here and in our online tuning guide.

:: Shocks

21332	Shock O-Ring	8
31510	M2 x 4mm BHCS	6
91052	13x26mm Shock Kit, Blue	1
91053	13x30mm Shock Kit, Blue	1
91054	Shock Cartridge	2
91055	Shock X-Rings	8
91056	Shock Rod Ends	4
91057	Shock Shaft, 26mm	2
91058	Shock Shaft, 30mm	2
91059	Shock Piston Hardware Kit	1
91060	Shock Body, 26mm Blue	2
91061	Shock Body, 30mm Blue	2
91062	Molded Shock Caps	4
91063	Shock Bladders, Seals	4
91064	Pistons, 1.1mm	4
91065	Pistons, 1.2mm (Kit)	4
91066	Pistons, 1.3mm	4
91067	Spring Cups / Collars	4
91070	Shock Boots	4



:: Springs

91071	13mm Front Spring Kit	1
91073	13mm Spring Front, 3.5LB Green	2
91074	13mm Spring Front, 3.9LB White	2
91075	13mm Spring Front, 4.3LB Blue (Kit)	2
91076	13mm Spring Front, 4.8LB Yellow	2
91077	13mm Rear Spring Kit	1
91078	13mm Spring Rear, 2.5LB White	2
91079	13mm Spring Rear, 2.8LB Blue (Kit)	2
91080	13mm Spring Rear, 3.1LB Yellow	2
91081	13mm Spring Rear, 3.4LB Red	2



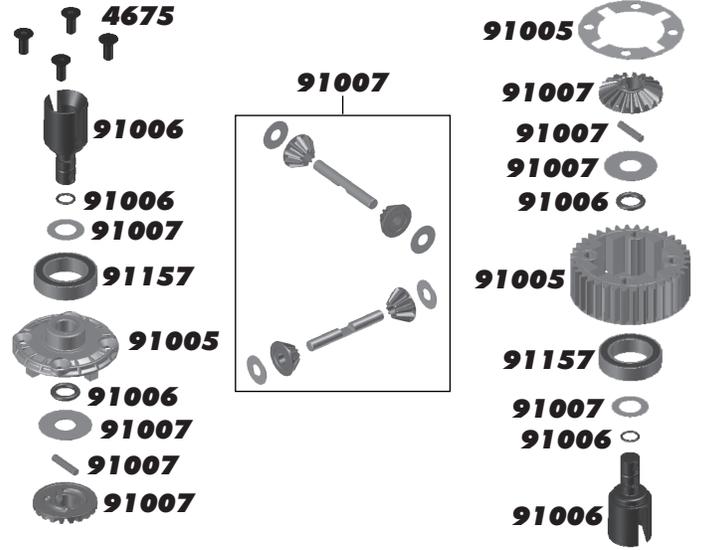
:: Shock Fluid

5420	10 Weight Silicone Shock Fluid	2oz.
5421	20 Weight Silicone Shock Fluid	2oz.
5422	30 Weight Silicone Shock Fluid	2oz.
5423	40 Weight Silicone Shock Fluid	2oz.
5424	22.5 Weight Silicone Shock Fluid	2oz.
5425	80 Weight Silicone Shock Fluid	2oz.
5426	27.5 Weight Silicone Shock Fluid	2oz.
5427	15 Weight Silicone Shock Fluid	2oz.
5428	25 Weight Silicone Shock Fluid	2oz.
5429	35 Weight Silicone Shock Fluid	2oz.
5430	45 Weight Silicone Shock Fluid	2oz.
5431	55 Weight Silicone Shock Fluid	2oz.
5432	32.5 Weight Silicone Shock Fluid	2oz.
5433	37.5 Weight Silicone Shock Fluid	2oz.
5434	42.5 Weight Silicone Shock Fluid	2oz.
5435	50 Weight Silicone Shock Fluid	2oz.
5436	60 Weight Silicone Shock Fluid	2oz.
5437	70 Weight Silicone Shock Fluid	2oz.
5438	47.5 Weight Silicone Shock Fluid	2oz.



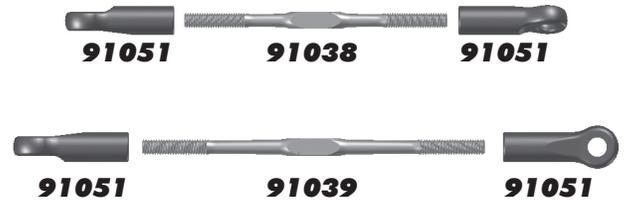
:: Gear Differential

4675	M2.5x6mm FHCS	6
91005	4X4 Gear Diff Case	1
91006	4X4 Gear Diff Outdrives	2
91007	4X4 Gear Diff Rebuild Kit	1
91008	4X4 Gear Diff Kit	1
91157	10x16x4mm Bearings	2



:: Turnbuckles

91038	HD Turnbuckles, 65mm	2
91039	HD Turnbuckles, 80mm	2
91051	HD Ball Cups	12



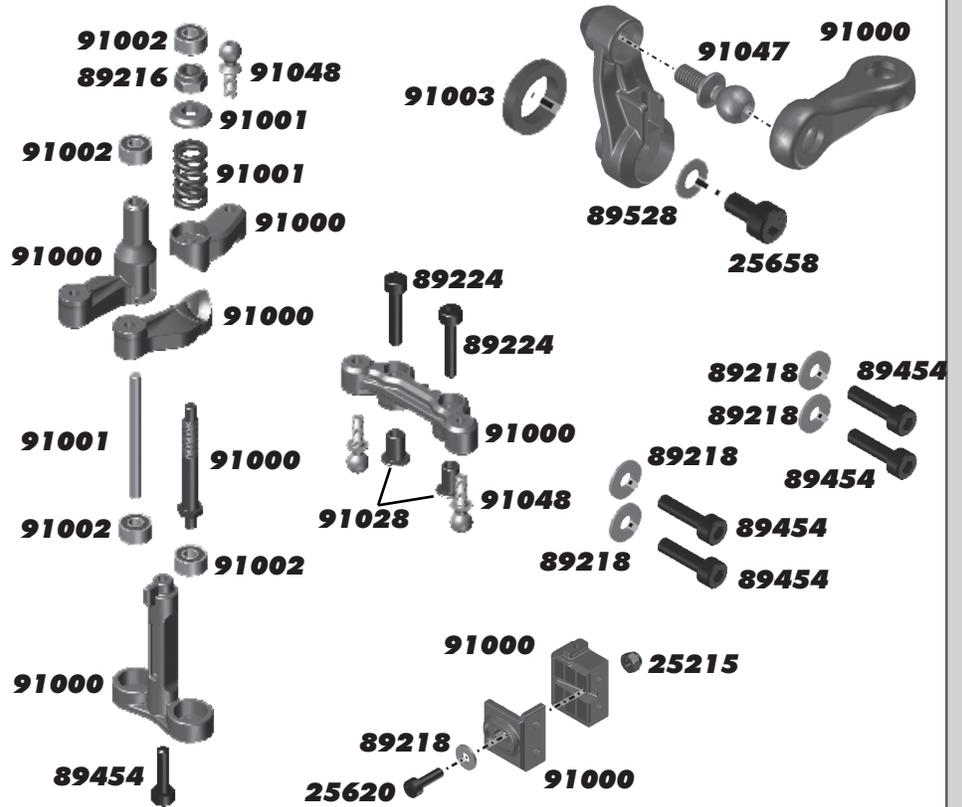
:: Lubes & Adhesives / Decals / Misc.

1105	FT Green Slime Shock Lube	1
1596	FT Locking Adhesive	1
1597	FT Tire Adhesive, medium	1
5450	Silicone Diff Fluid 1000cst	1
5451	Silicone Diff Fluid 2000cst	1
5452	Silicone Diff Fluid 3000cst	1
5453	Silicone Diff Fluid 5000cst	1
5454	Silicone Diff Fluid 7000cst	1
5455	Silicone Diff Fluid 10000cst	1
5456	Silicone Diff Fluid 20000cst	1
5457	Silicone Diff Fluid 30000cst	1
5458	Silicone Diff Fluid 60000cst	1
5459	Silicone Diff Fluid 100000cst	1
6588	Black Grease - 4cc	1
6591	S.Diff Lube - 4cc	1
6636	Silicone Grease - 4cc	1
6727	Servo Tape	2
716	Reedy 2009 Sticker Set	1
717	Reedy Powered Logo Decal	1
3816	American Bumper Sticker	1
3820	AE Logo Decal Sheet	1
3834	AE Blue Embossed Logo Sticker	2
91169	SC10 4X4 Decal Sheet	1



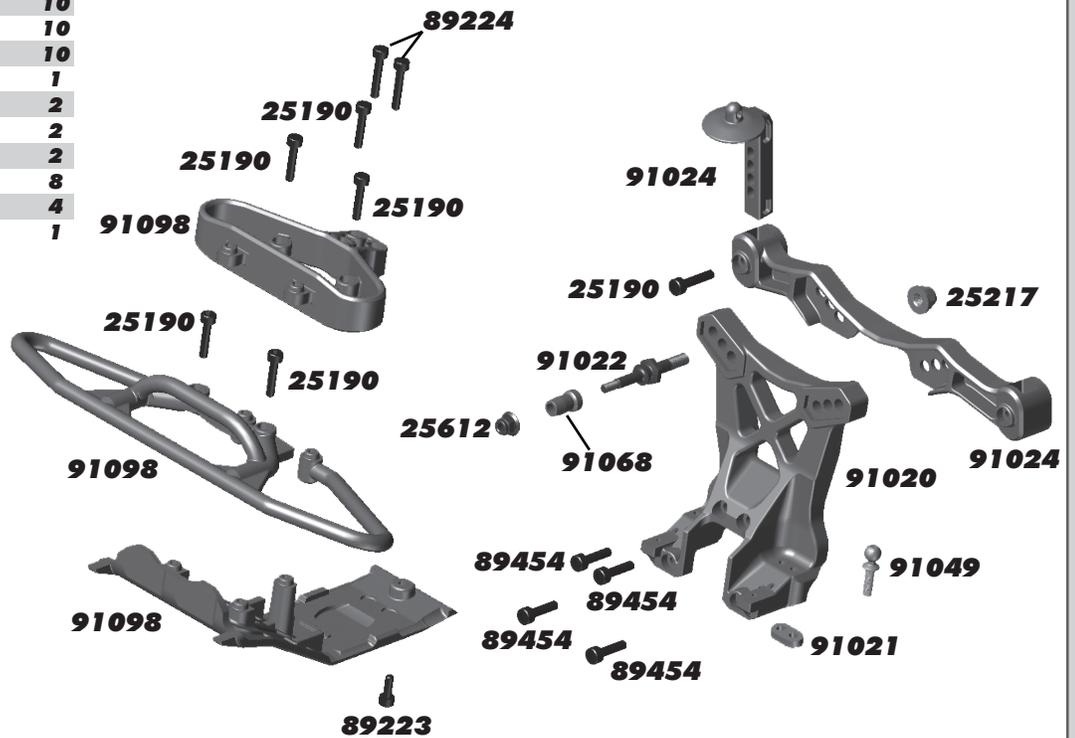
:: Steering

25215	M3 Locknut	20
25620	M3x10mm SHCS	20
25658	M3x6mm SHCS	20
89216	M4 Locknut	10
89218	M3x8mm Washer	10
89224	M3x16mm SHCS	10
89454	M3x12mm SHCS	10
89528	Steel Washer 3x5.6mm	10
91000	4X4 Servo Saver/Bellcrank	1
91001	4X4 Steering Hardware	1
91002	Steering Bearings 3x8x4mm	4
91003	4X4 Servo Horns	1
91028	4X4 Steel Hat Bushings	10
91047	HD Ballstuds, 6mm	8
91048	HD Ballstuds, 8mm	8



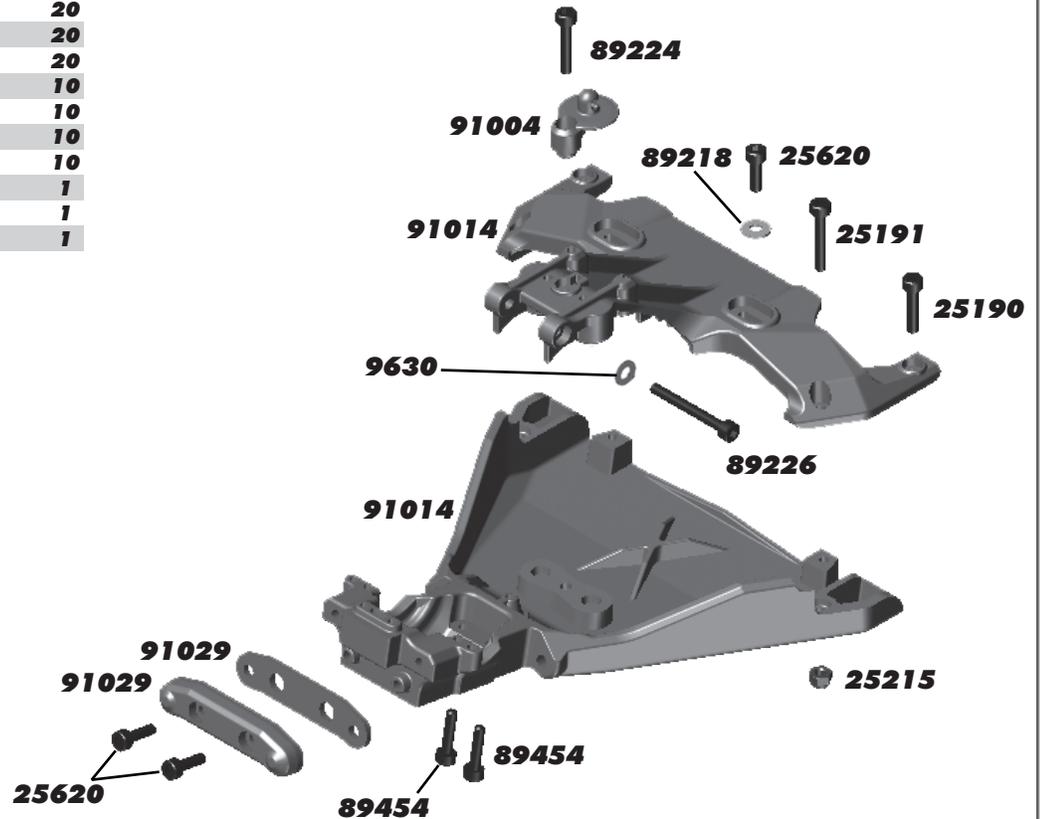
:: Front Bumper, Front Shock Tower

25190	M3x14mm SHCS	20
25217	M4 Locknut w/Flange	20
25612	M3 Locknut w/Flange	20
89223	M3x8mm SHCS	10
89224	M3x16mm SHCS	10
89454	M3x12mm SHCS	10
91020	4X4 Front Shock Tower	1
91021	4X4 Threaded Inserts	2
91022	4X4 Shock Mounts	2
91024	4X4 Body Mounts	2
91049	HD Ballstuds, 10mm	8
91068	13mm Shock Cap Bushing	4
91098	4X4 Front Bumper Set	1



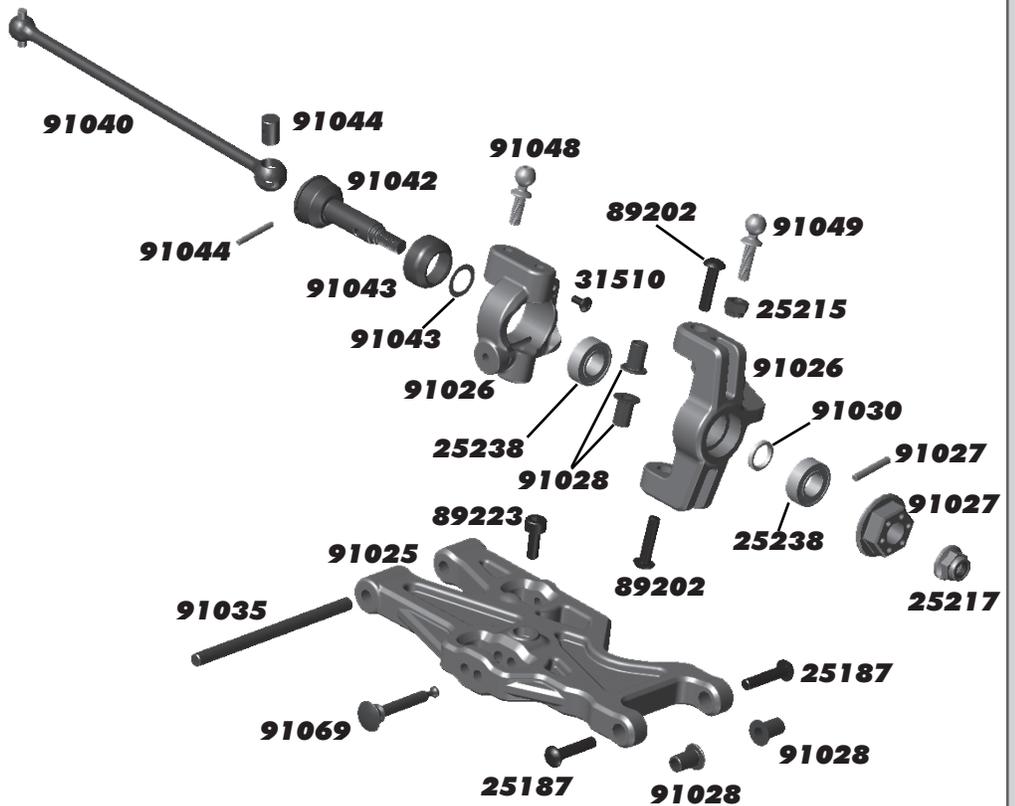
:: Front Clip

9630	Aluminum Ballstud Washer	10
25190	M3x14mm SHCS	20
25191	M3x18mm SHCS	20
25215	M3 Locknut, Black	20
25620	M3x10mm SHCS	20
89218	M3x8mm Washer	10
89224	M3x16mm SHCS	10
89226	M3x26mm SHCS	10
89454	M3x12mm SHCS	10
91004	4X4 Inner Body Mounts	1
91014	4X4 Front Chassis Plate/Brace	1
91029	4X4 Front Arm Mount (A)	1



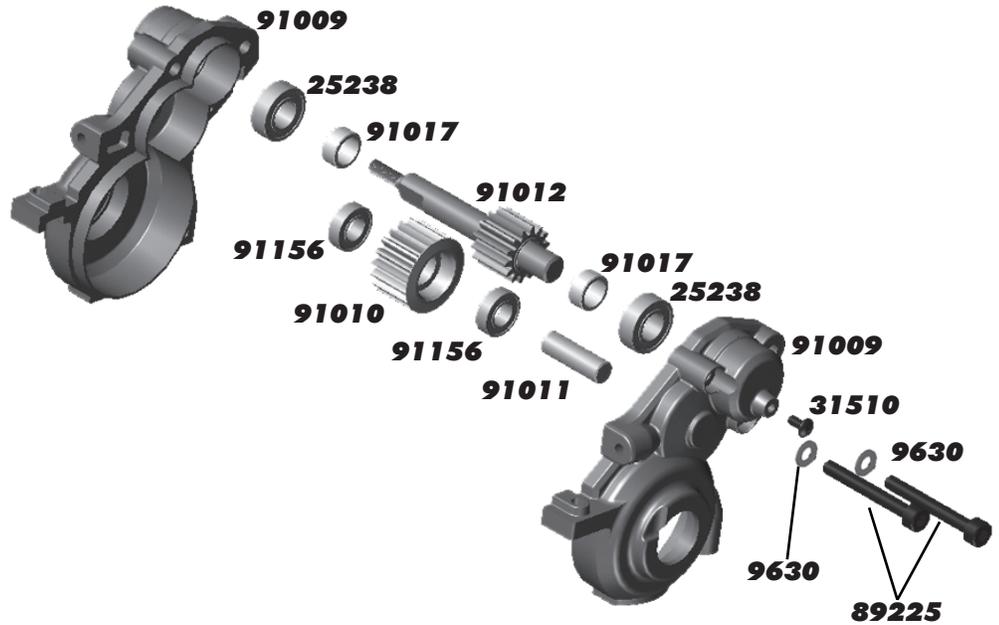
:: Front Suspension

25187	M3x14mm BHCS	20
25215	M3 Locknut	20
25217	M4 Locknut w/Flange	20
25238	6x12x4mm Bearings	2
31510	M2x4mm BHCS	6
89202	M3x12mm BHCS	10
89223	M3x8mm SHCS	10
91025	4X4 Front Arms	2
91026	4X4 Steer/Caster Block	2ea
91027	4X4 Wheel Hexes / Pins	4
91028	4X4 Steel Hat Bushings	10
91030	Front Axle Crush Tube	2
91035	4X4 Inner Hinge Pins (Fr, Rr)	2ea
91040	4X4 Front CVA Bones	2
91042	4X4 CVA Axles	2
91043	4X4 CVA Pin Retainer	2
91044	4X4 CVA Rebuild Kit	1
91048	HD Ballstuds, 8mm	8
91049	HD Ballstuds, 10mm	8
91069	Shock Mount Pin, Steel	4



:: Front Gearbox

9630	Aluminum Ballstud Washer	10
25238	6x12x4 Bearings	2
31510	M2x4mm BHCS	6
89225	M3x24mm SHCS	10
91009	4X4 Front Gearbox	1
91010	4X4 Idler Gear	2
91011	4X4 Idler Gear Shaft	1
91012	4X4 Top Shaft, Front	1
91017	4X4 Top Shaft Spacers	2
91156	5x10x3mm Bearings	2



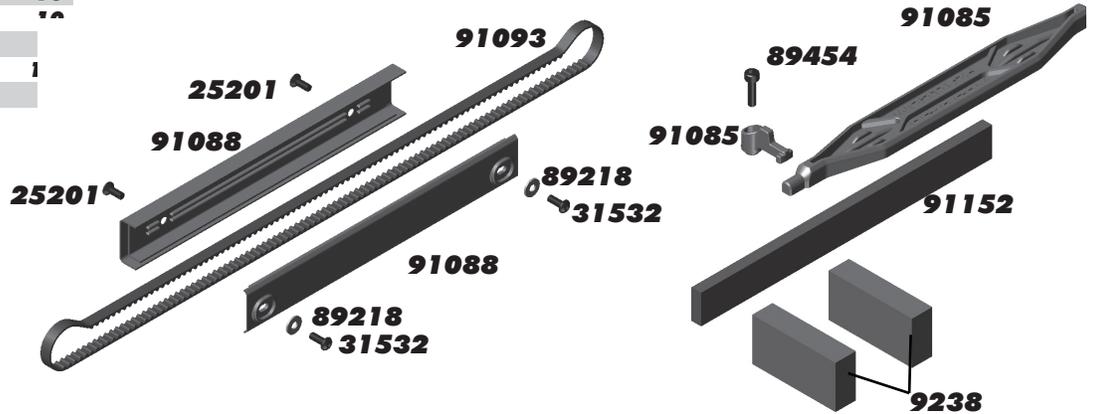
:: Front Belt Covers, Tensioners, Clicker Drive

25215	M3 Locknut, Black	20
25620	M3x10mm SHCS	20
31402	4x8mm Bearings	2
31531	M3x6mm BHCS	6
89223	M3x8mm SHCS	10
89528	M2.5x5mm washer	10
91013	4X4 Pulley/Clicker Set	1
91088	4X4 Belt Covers	1ea
91089	4X4 Belt Cover Cap	2
91091	Belt Tension Hardware	1
91158	M3x4mm BHCS	10
91159	M2.5x5mm SHCS	10
91167	4X4 Pulleys, Front & Rear	1ea



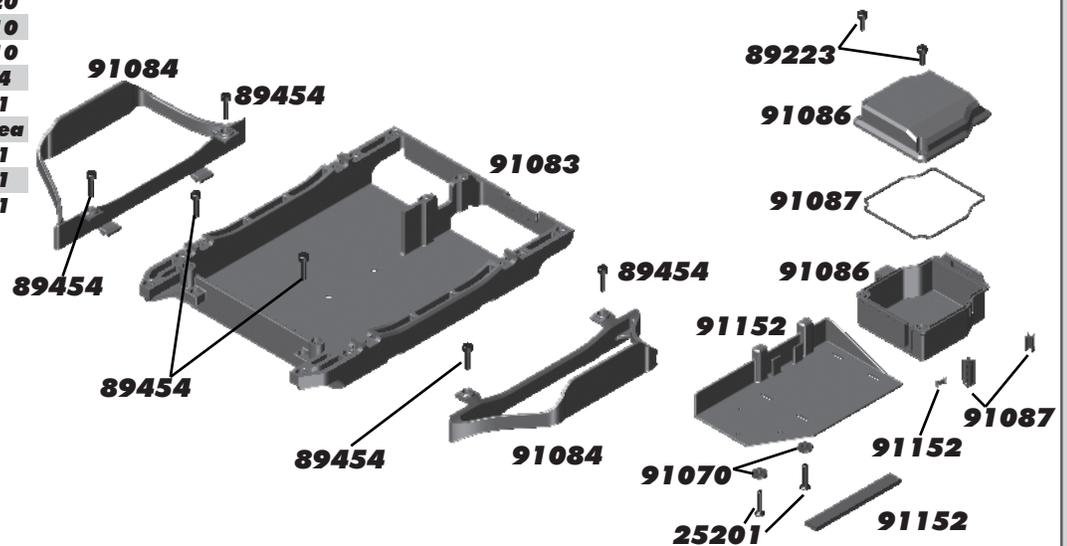
:: Belt, Center Belt Covers, Battery Strap

9238	Foam Battery Spacers	2
25201	M3x8mm FHCS	20
31532	M3x8mm BHCS	6
89218	M3x8mm Washers	10
89454	M3x12mm SHCS	10
91085	4X4 Battery Strap	1
91088	4X4 Belt Covers	1
91093	4X4 Drive Belt	1
91152	4X4 ESC Tray/Battery Wall	1



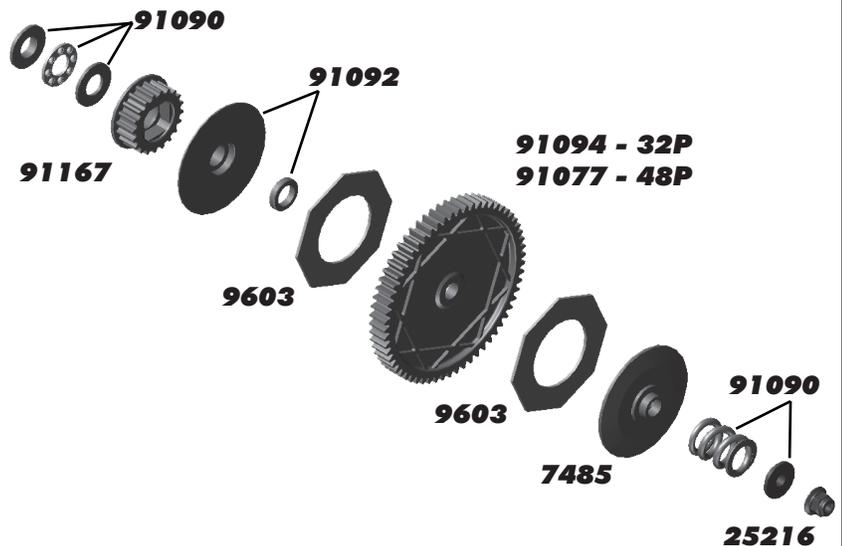
:: Chassis, Electronics Tray

25201	M3x8mm FHCS	20
89223	M3x8mm SHCS	10
89454	M3x12mm SHCS	10
91070	13mm Shock Bumpers	4
91083	4X4 Chassis	1
91084	4X4 Nerf Bars	1ea
91086	4X4 Receiver Box	1
91087	4X4 Receiver Box Seals	1
91152	4X4 ESC Tray/Battery Wall	1



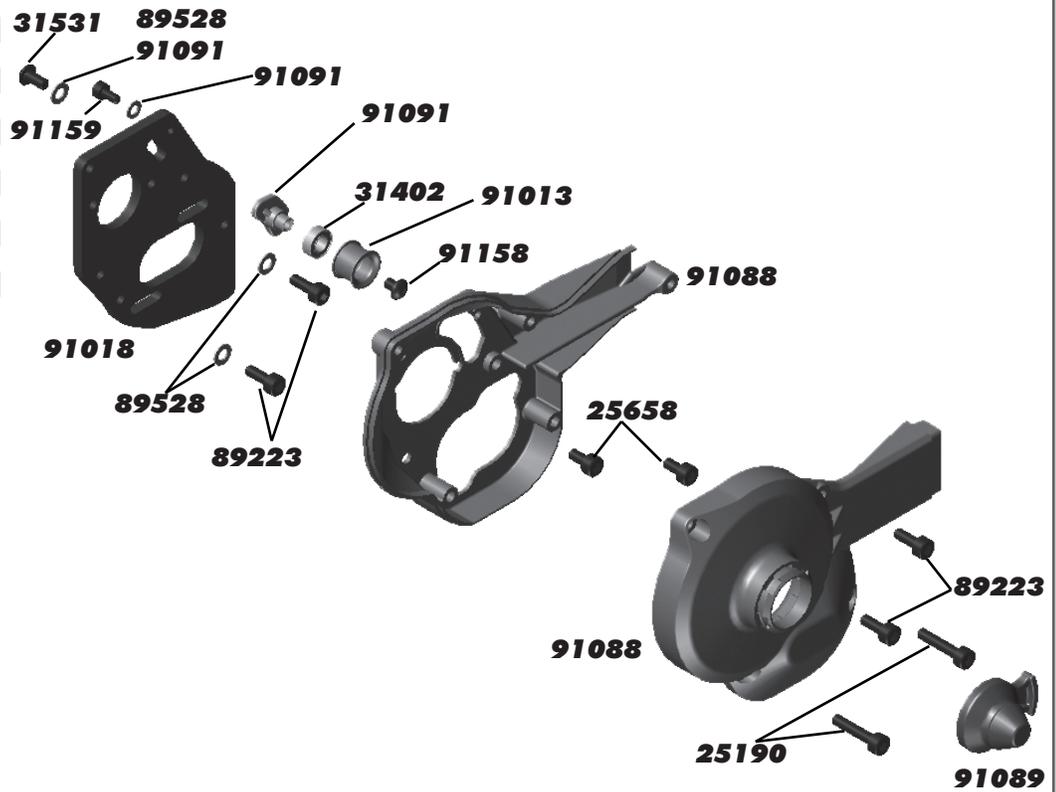
:: Slipper Gear Assembly / Pinions

7485	FT V2 Slipper Hubs	1
9603	Slipper Pads	2
25216	M3 Locknut w/Flange	20
91090	4X4 Slipper Hardware	1
91092	4X4 Inner Slipper Hub	1
91094	Spur Gear, 32P-62T (Kit)	1
91095	Spur Gear, 32P-60T	1
91096	Spur Gear, 32P-58T	1
91097	Spur Gear, 48P-93T (Kit)	1
91161	5mm to 1/8 Pinion Adapter	1
91162	11T 32P Pinion Gear	1
91163	12T 32P Pinion Gear	1
91164	13T 32P Pinion Gear	1
91165	14T 32P Pinion Gear	1
91166	15T 32P Pinion Gear	1
91167	4X4 Pulleys, Front & Rear	1ea



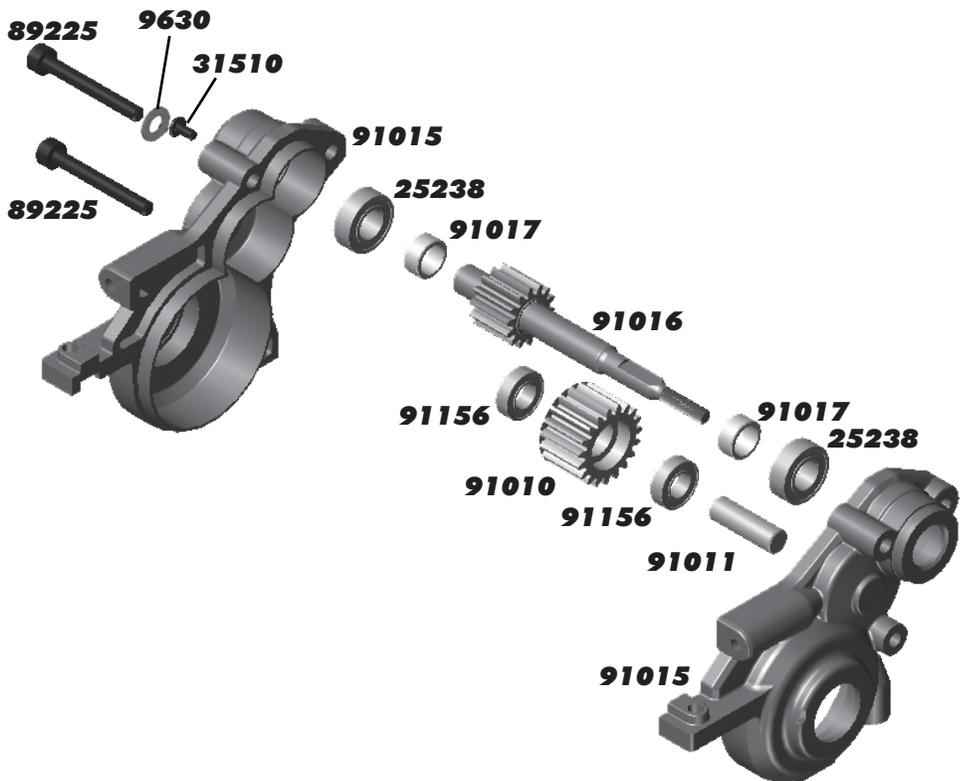
:: Motor Plate, Rear Belt Cover

25190	M3x14mm SHCS	20
25658	M3x6mm SHCS	20
31402	4x8mm Bearings	2
31531	M3x6mm BHCS	6
89223	M3x8mm SHCS	10
89528	Steel Washer 3x5.6mm	10
91013	4X4 Pulley/Clicker Set	1
91018	4X4 Motor Plate	1
91088	4X4 Belt Covers	1ea
91089	4X4 Belt Cover Caps	2
91091	Belt Tensioner Hardware	1
91158	M3x4mm BHCS	10
91159	M2.5x5mm SHCS	10



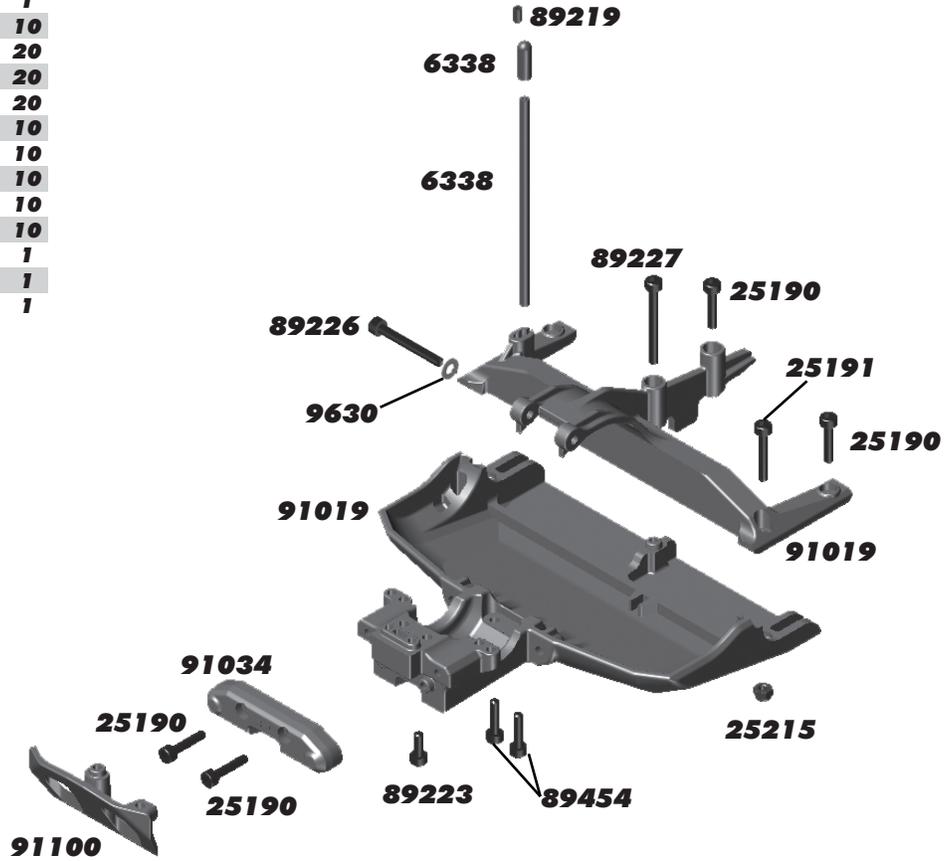
:: Rear Gearbox

9630	Aluminum Ballstud Washer	10
25238	6x12x4mm Bearings	2
31510	M2x4mm BHCS	6
89225	M3x24mm SHCS	10
91010	4X4 Idler Gear	2
91011	4X4 Idler Gear Shaft	1
91015	4X4 Rear Gearbox	1
91016	4X4 Rear Top Shaft	1
91017	4X4 Top Shaft Spacers	2
91156	5x10x3mm Bearings	2



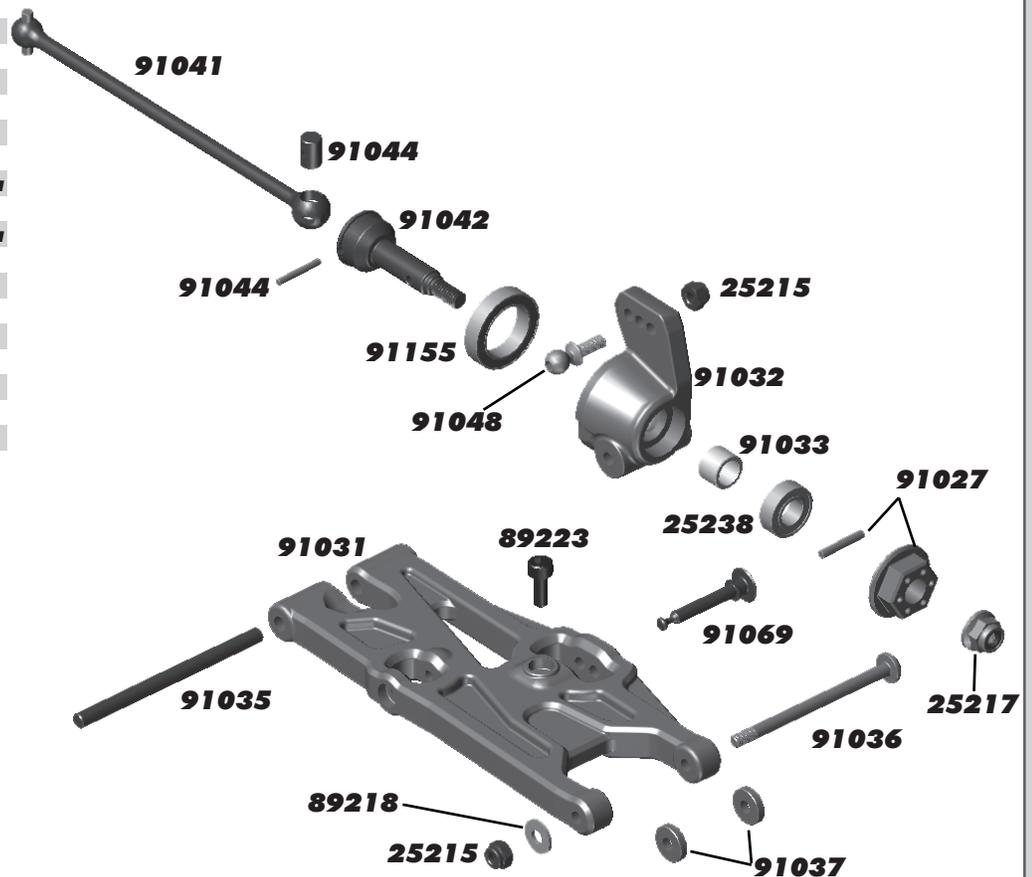
:: Rear Clip

6338	Antenna Tube 12" & Cap	1
9630	Aluminum Ballstud Washer	10
25190	M3x14mm SHCS	20
25191	M3x18mm SHCS	20
25215	M3 Locknut, Black	20
89219	M3x5mm Setscrew	10
89223	M3x8mm SHCS	10
89226	M3x26mm SHCS	10
89227	M3x28mm SHCS	10
89454	M3x12mm SHCS	10
91019	4X4 Rear Chassis Plate/Brace	1
91034	4X4 Rear Arm Mount (D)	1
91100	4X4 Rear Skid Plate	1



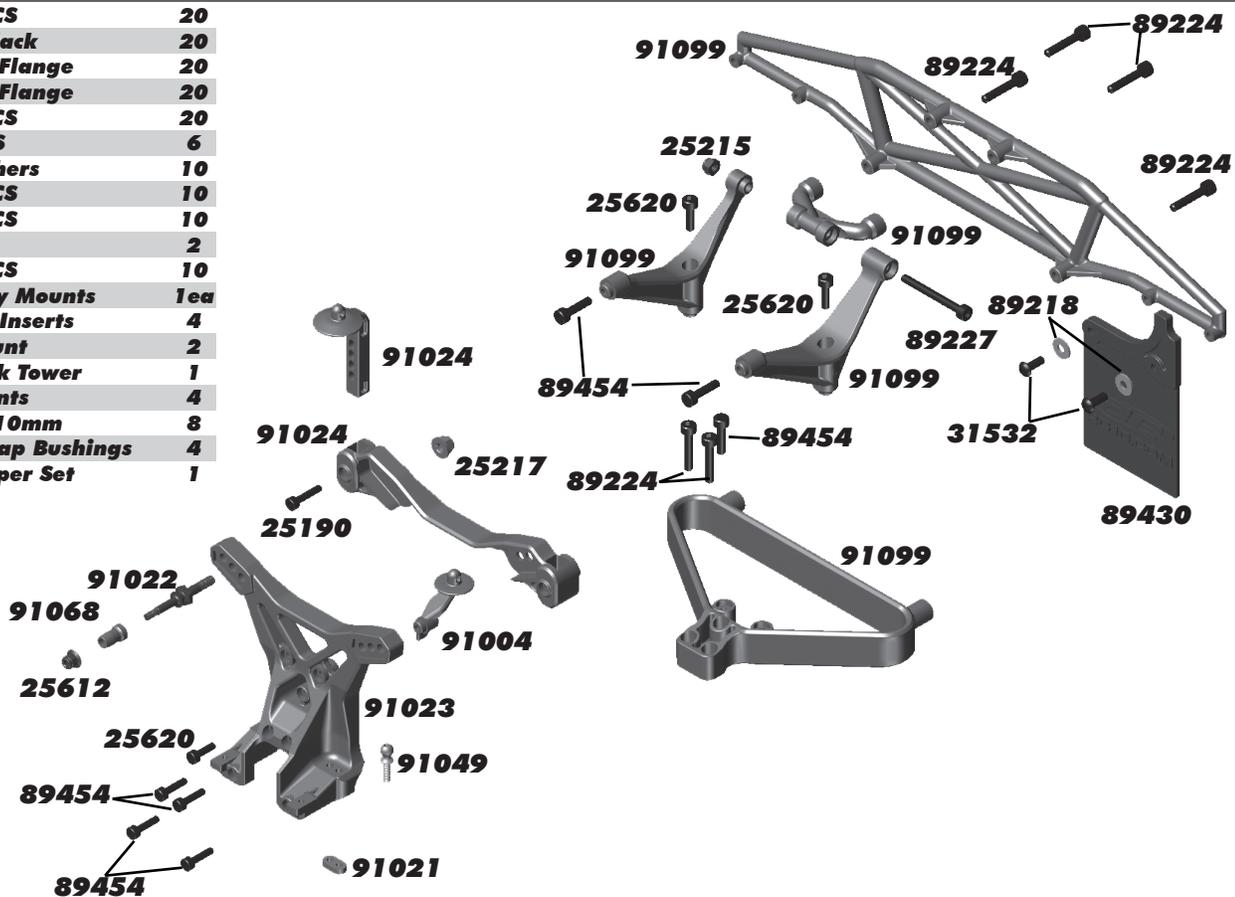
:: Rear Suspension

25215	M3 Locknut	20
25217	M4 Locknut w/Flange	20
25238	6x12x4mm Bearings	2
89218	M3x8mm Washers	10
89223	M3x8mm SHCS	10
91027	4X4 Wheel Hexes / Pins	4
91031	4X4 Rear Arms	1
91032	Rear Hub Carriers	1ea
91033	Rear Axle Crush Tube	2
91035	4X4 Inner Hinge Pins, Fr & Rr	2ea
91036	4X4 Rear Outer Hinge Pins	2
91037	Rear Hub Wheelbase Shim	8
91041	4X4 Rear CVA Bones	2
91042	4X4 CVA Axles	2
91044	4X4 CVA Rebuild Kit	2
91048	HD Ballstuds, 8mm	8
91069	Shock Mount Pin, Steel	4
91155	12x18x4 Bearings, Rubber	2



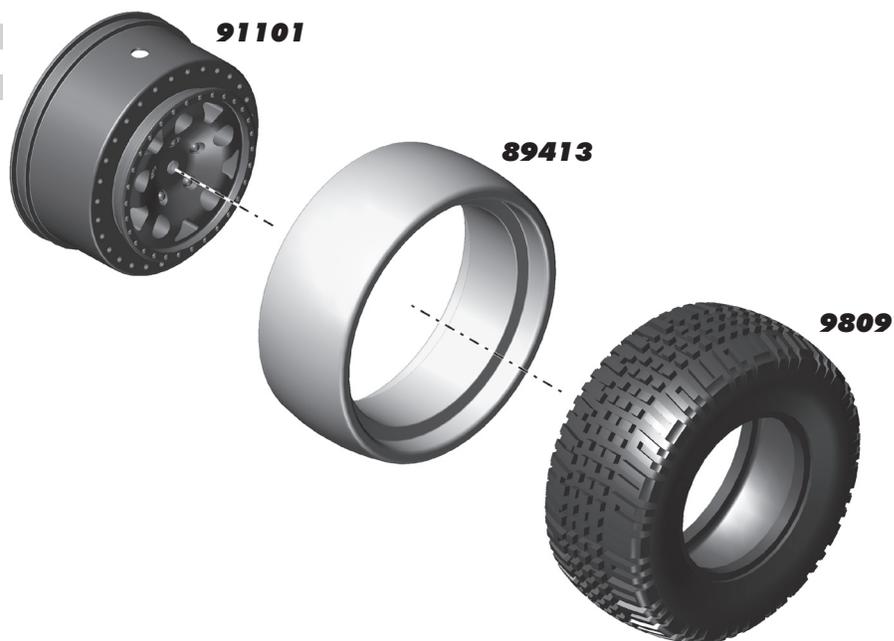
:: Rear Bumper, Rear Shock Tower

25190	M3x14mm SHCS	20
25215	M3 Locknut, Black	20
25217	M4 Locknut w/Flange	20
25612	M3 Locknut w/Flange	20
25620	M3x10mm SHCS	20
31532	M3x8mm BHCS	6
89218	M3x8mm Washers	10
89224	M3x16mm SHCS	10
89227	M3x28mm SHCS	10
89430	Mud Flaps	2
89454	M3x12mm SHCS	10
91004	4X4 Inner Body Mounts	1ea
91021	4X4 Threaded Inserts	4
91022	4X4 Shock Mount	2
91023	4X4 Rear Shock Tower	1
91024	4X4 Body Mounts	4
91049	HD Ballstuds, 10mm	8
91068	13mm Shock Cap Bushings	4
91099	4X4 Rear Bumper Set	1



:: Wheels, Tires, Inserts

9809	SC10 Tires w/Foam Inserts	2
89413	1/8 Molded Tire Inserts	2
91101	KMC Hex Wheels, Black (Kit)	2
91102	KMC Hex Wheels, Silver	2
91103	KMC Hex Wheels, Chrome	2
91104	KMC Hex Wheels/Tire Black	2
91105	KMC Hex Wheels/Tire Silver	2
91106	KMC Hex Wheels/Tire Chrome	2



:: Factory Team and Option Parts

1654	FT Solid Axle Pins	4
1734	FT Body Clips, 4 Long, 6 Short	10
1735	FT Long Body Clips, Blue	4
1736	FT Short Body Clips, Blue	6
6943	FT Blue 8-32 Locknuts	4
7495	Vented Slipper Hub (fits outside only for 4X4)	2
9787	Chassis Protective Sheet	1
9836	SC10 Clear Body	1
9837	SC10 09' Championship Clear Body	1
9838	SC10 RTR Body, KMC	1
9839	SC10 RTR Body, Lucas Oil	1
9843	SC10 RTR Decal Sheet, KMC	1
9844	SC10 RTR Decal Sheet, Lucas Oil	1
9845	SC10 RTR Decal Sheet, Bullydog	1
9846	SC10 RTR Decal Sheet, Pro Comp	1
9847	SC10 RTR Decal Sheet, Team AE	1
9848	SC10 RTR Body, Ready Lift	1
9849	SC10 RTR Decal Sheet, Ready Lift	1
9862	SC10 09' Body, Rockstar-Makita	1
9863	SC10 09' Decals, Rockstar-Makita	1
25391	FT 4mm Locknuts, Blue	10
25392	FT 3mm Locknuts, Blue	10
31286	Aluminum Ballstud Washers, Blue	2
31550	M3 Aluminum Locknuts, Blue	6
91108	FT 13x26mm Shock Kit, Hard	1
91109	FT 13x30mm Shock Kit, Hard	1
91110	FT 26mm Shock Body, Hard	2
91111	FT 30mm Shock Body, Hard	2
91112	Ti Nitride Shock Shaft, 26mm	2
91113	Ti Nitride Shock Shaft, 30mm	2
91114	Blank Shock Pistons, 13mm	4
91115	Ti HD Turnbuckle, 65mm	2
91116	Ti HD Turnbuckle, 80mm	2
91117	Ti HD Turnbuckle Set, SC10 4X4	1
91118	Ti Nitride HD Ballstud 6mm	2
91119	Ti Nitride HD Ballstud 8mm	2
91120	Ti Nitride HD Ballstud 10mm	2
91121	Ti Nitride HD Ballstud 12mm	2
91122	Hard Anodized Hat Bushings	2
91123	Front Swaybar Set	1
91124	Rear Swaybar Set	1
91125	Hard Anodized Pivot Balls	4
91126	Swaybar Hardware	1
91127	Ti Nitride Front Inner Hinge Pins	2
91128	Ti Nitride Rear Inner Hinge Pins	2
91129	Light Weight Gear Diff Outdrives	2
91130	Light Weight Top Shaft, Front	1
91131	Light Weight Top Shaft, Rear	1
91132	Aluminum Idler Shaft	1
91135	Front CVA Bones, Shiny	2
91136	Rear CVA Bones, Shiny	2
91137	CVA Pin Retainer, Aluminum	2
91160	Body Clip, 1.3mm Thick	10
91161	5mm to 1/8 Pinion Adapter	1
91168	SC10 4X4 Underbody	1
91169	SC10 4X4 Decal Sheet	1
91170	Hi-Torque Slipper Pad	2

:: XP Electronics

29107	S1903 Metal Gear Set	1
29125	S1903MG Servo	1
29126	S2008MG Servo	1
29141	XP SC450-BL Brushless ESC	1
29142	XP ESC Fan Option	1
29150	XP RX/TX CHarger 110v	1
29155	XP3D FM Radio System 27mHz	1
29156	XP3D FM Radio System 75mHz	1
29158	XP3D 3ch Digital Transmitter Only	1
29160	27mHz Module AM for XP3D	1
29161	27mHz Module FM, for XP3D	1
29162	75mHz Module FM for XP3D	1
29164	Micro RX 3ch FM 27mHz	1
29165	Micro RX 3ch FM 75mHz	1
29166	XP DS1313 Digital Servo	1
29177	XP DS1015 Digital Servo	1
29209	Gear Set, DS1313	1
29210	Gear Set, DS1015	1
29211	Servo Case, DS1313 / DS1015	1
29212	Accessory Pack, DS1313 / DS1015	1
29221	XP3SS 2.4GHz Radio System	1
29222	TRS401SS 2.4GHz 4Ch Receiver	1
29223	2.4GHz Module and RX (XP3D)	1
29224	2.4GHz Module (XP3D)	1

:: Reedy Motors and ESC's

916	540R Brushless Motor 3300kV	1
917	540R Brushless Motor 3900kV	1
918	540R Brushless Motor 4900kV	1
919	540R Brushless Motor 6100kV	1
936	XP SC450-BL/Reedy 540R 3300kV Combo	1
937	XP SC450-BL/Reedy 540R 3900kV Combo	1
938	XP SC450-BL/Reedy 540R 4900kV Combo	1
939	XP SC450-BL/Reedy 540R 6100kV Combo	1

:: Reedy Batteries

302	AA Alkaline 1.5V (4)	1
303	AA 2700mAh NiMH 1.2V Rechargeable	1
627	LiPo 60C 5200mAh 7.4V SP	1
628	LiPo 60C 5500mAh 7.4V	1
632	TX Lightweight Battery 1350mAh 11.1V	1
633	TX Battery - 3PK, M11 3000mAh 11.1V	1
634	TX Battery - Helios, Z1 2400mAh 11.1V	1
637	TX Battery - M11X 2500mAh 7.4V	1
681	Wolfpack 2400mAh 7.2V w/DEANS® connector	1
682	Wolfpack 3000mAh 7.2V w/DEANS® connector	1
683	Wolfpack 3600mAh 7.2V w/DEANS® connector	1
684	Wolfpack 4200mAh 7.2V w/DEANS® connector	1
685	LiPo 40C+ 5000mAh 7.4V	1
686	LiPo 40C+ 4200mAh 7.4V SP	1
689	R-Power 1700mAh 7.2V w/TAM connector	1
693	Wolfpack 2400mAh 7.2V w/TAM connector	1
694	Wolfpack 3000mAh 7.2V w/TAM connector	1
695	Wolfpack 3600mAh 7.2V w/TAM connector	1
700	Wolfpack 4200mAh 7.2V w/TAM connector	1
709	LiPo 5000mAh 7.4V 35C ROAR Spec	1
712	LiPo 4200mAh 7.4V 35C SP EFRA Spec	1
713	LiPo 2400mAh 7.4V 20C Stick	1
714	LiPo 3400mAh 7.4V 25C Stick	1
723	LiFe 4000mAh 6.6V 30C	1
724	Wolfpack 3000mAh 8.4V w/DEANS® connector	1
725	Wolfpack 3600mAh 8.4V w/DEANS® connector	1
730	Wolfpack LiPo 3000mAh 7.4V 25C w/DEANS®	1
731	Wolfpack LiPo 3300mAh 7.4V 35C w/DEANS®	1
732	Wolfpack LiPo 3400mAh 7.4V 35C w/DEANS®	1

:: Reedy Accessories

604	526-S AC/DC 2S-6S LiPo/LiFe Charger	1
605	Motor Cooling Fans (2)	1
606	Charge Harness 2S Saddle Pack 4mm	1
607	Charge Harness 2S Standard Pack 4mm	1
610	447-S AC/DC NiMH Peak Charger	1
651	Battery Bars (8)	1
652	Battery Bars (30)	1
653	Battery Bars (100)	1
654	4.0mm plugs (2M, 2F)	1
655	4.0mm plugs (2M, 10F)	1
656	4.0mm plugs (10F)	1
657	4.0mm plugs (100F)	1
658	4.0mm plugs (10M)	1
659	4.0mm plugs (30M)	1
660	3.5mm plugs (3M, 3F)	1
661	3.5mm plugs (10F)	1
662	3.5mm plugs (100F)	1
663	3.5mm plugs (10M)	1
664	3.5mm plugs (30M)	1
665	Single Cell Shrink - Clear (12)	1
666	Single Cell Shrink - Clear (30)	1
667	Single Cell Shrink - Clear (100)	1
716	Reedy 09 Decal Set	1
SP35M	Reedy Logo T-Shirt - White M	1
SP35L	Reedy Logo T-Shirt - White L	1
SP35XL	Reedy Logo T-Shirt - White XL	1
SP35XXL	Reedy Logo T-Shirt - White XXL	1
SP35XXXL	Reedy Logo T-Shirt - White XXXL	1
SP36M	Reedy Logo T-Shirt - Black M	1
SP36L	Reedy Logo T-Shirt - Black L	1
SP36XL	Reedy Logo T-Shirt - Black XL	1
SP36XXL	Reedy Logo T-Shirt - Black XXL	1
SP36XXXL	Reedy Logo T-Shirt - Black XXXL	1
SP417	Factory Team 1/10 Motor Storage Bag	1

:: LRP Charger, Power Supply, Balancer, Iron

LRP41281	Quadra Pro 2 Charger	1
LRP41555	Pulsar Touch Competition Charger	1
LRP43150	Power Supply Competition	1
LRP45200	LiPo Parallel Balancer	1
LRP65800	High Power Solder Station	1
LRP65802	Soldering Tip 5mm	1
LRP65803	Soldering Tip 1.2mm	1
LRP65804	Soldering Handle	1

:: LRP Speed Controls

LRP80100	AI Brushless Reverse	1
LRP80150	AI Brushless Pro Reverse	1
LRP80400	SPX Brushless Super Reverse	1
LRP80905	SXX Competition V.2	1
LRP80915	SXX Stock-Spec V.2	1
LRP80955	SXX TC-Spec V.2	1

:: LRP Brushless Motors

LRP50642	LRP X-12 9.5 Turn	1
LRP50652	LRP X-12 8.5 Turn	1
LRP50662	LRP X-12 7.5 Turn	1
LRP50672	LRP X-12 6.5 Turn	1
LRP50682	LRP X-12 5.5 Turn	1
LRP50687	LRP X-12 5.0 Turn	1
LRP50692	LRP X-12 4.5 Turn	1
LRP50702	LRP X-12 4.0 Turn	1
LRP50712	LRP X-12 3.5 Turn	1
LRP50722	LRP X-12 3.0 Turn	1
LRP50832	LRP X-12 Stock-Spec 10.5 Turn	1
LRP50842	LRP X-12 Stock Spec 13.5 Turn	1
LRP50852	LRP X-12 Stock Spec 17.5 Turn	1
LRP50862	LRP X-12 Stock Spec 21.5 Turn	1

:: LRP Brushless Combos

LRP80677	SXX Stock-Spec V2/ X-12 Stock-Spec 10.5 Turn	1
LRP80678	SXX Stock-Spec V2/ X-12 Stock-Spec 13.5 Turn	1
LRP80679	SXX Stock-Spec V2/ X-12 Stock-Spec 17.5 Turn	1
LRP80694	SXX COMP v.2 / X-12 5.0 Turn	1
LRP80695	SXX COMP v.2 / X-12 5.5 Turn	1
LRP80696	SXX COMP v.2 / X-12 6.5 Turn	1
LRP80697	SXX COMP v.2 / X-12 7.5 Turn	1
LRP80698	SXX COMP v.2 / X-12 8.5 Turn	1
LRP80699	SXX COMP v.2 / X-12 9.5 Turn	1
LRP80790	SXX TC v.2 / X-12 3.0 Turn	1
LRP80791	SXX TC v.2 / X-12 3.5 Turn	1
LRP80792	SXX TC v.2 / X-12 4.0 Turn	1
LRP80793	SXX TC v.2 / X-12 4.5 Turn	1
LRP80794	SXX TC v.2 / X-12 5.0 Turn	1
LRP80795	SXX TC v.2 / X-12 5.5 Turn	1
LRP80796	SXX TC v.2 / X-12 6.5 Turn	1
LRP80797	SXX TC v.2 / X-12 7.5 Turn	1
LRP80798	SXX TC v.2 / X-12 8.5 Turn	1
LRP80799	SXX TC v.2 / X-12 9.5 Turn	1

:: LRP Misc.

LRP50620	X-12 Replacement Ball Bearings	1
LRP50621	X-12 Optional Ceramic Ball Bearings	1
LRP50622	X-12 Small parts Set	1
LRP50623	X-12 PreciSensor Unit	1
LRP50624	X-12 Replacement alum Front can	1
LRP50625	X-12 Lightweight Alum Can	1
LRP50626	X-12 Alum Rear Cover	1
LRP50632	X-12 12.0mm sintered rotor	1
LRP50633	X-12 12.5mm sintered rotor	1
LRP50634	X-12 13.0mm sintered rotor	1
LRP80135	BEC stabilizing capacitor	1
LRP82511	Brushless Low Profile Fan	1
LRP82520	Brushless/Brushed Cooling Set	1
LRP82530	Power Cap 3.7 - 4.8V	1
LRP82531	Power Cap 6.0 - 7.4V	1
LRP819307	70mm High Flex Sensor Wire	1
LRP819310	100mm High Flex Sensor Wire	1
LRP819315	150mm High Flex Sensor Wire	1
LRP819320	200mm High Flex Sensor Wire	1

:: Apparel

SP35**	Reedy 09' White T-Shirt (M, L, XL, 2XL, 3XL)	1
SP36**	Reedy 09' Black T-Shirt (M, L, XL, 2XL, 3XL)	1
SP58**	AE Logo Black T-Shirt (M, L, XL, 2XL)	1
SP59**	AE Logo Blue T-Shirt (M, L, XL, 2XL)	1
SP62**	AE Vertigo Long Sleeve T-Shirt (S, M, L, XL, 2XL)	1
SP63**	AE Vertigo White T-Shirt (S, M, L, XL, 2XL, 3XL, 4XL)	1
SP64**	AE Vertigo Blue T-Shirt (S, M, L, XL, 2XL, 3XL, 4XL)	1
SP65**	AE Vertigo Black T-Shirt (S, M, L, XL, 2XL, 3XL, 4XL)	1
SP66**	AE Stencil Blue T-Shirt (S, M, L, XL, 2XL, 3XL)	1
SP67**	AE Stencil Gray Sweatshirt (S, M, L, XL, 2XL, 3XL)	1
SP100	1/8 Inner and Outer Boxes Only, Set	1
SP101	1/8 Inner Boxes Only, Set	1
SP102	1/10 Inner and Outer Boxes Only, Set	1
SP103	1/10 Inner Boxes Only, Set	1
SP411S	AE Hat 11' Flatbill Black S/M	1
SP411L	AE Hat 11' Flatbill Black L/XL	1
SP416	1/10 Car Carrier Bag Only	1
SP417	1/10 FT Motor Bag	1
SP420**	AE Pit Gloves (M, L, XL)	Pr.
715	Reedy 2009 Track Banner	1
110684	Team Associated Track Banner	1

** Use part number plus the desired size when ordering!

:: 1/18 Kits and RTR's

20100	RC18T RTR (ready-to-run)	1
20101	RC18T2 2.4ghz RTR (ready-to-run)	1
20103	RC18B2 - RC18T2 Team Kit	1
20105	RC18B RTR (ready-to-run)	1
20106	RC18B2 2.4ghz RTR (ready-to-run)	1
20110	RC18MT RTR (ready-to-run)	1
20115	RC18R Kamino RTR (ready-to-run)	1
20118	RC18R Niteline RTR (ready-to-run)	1
20120	SC18 RTR (ready-to-run)	1
20130	RC18LM RTR (ready-to-run)	1

:: 1/12, 1/10 Kits and RTR's

2033	FT Nitro TC3 Kit	1
2042	Nitro TC3 RTR Plus (ready-to-run)	1
4019	FT 12R5.1 Kit	1
7023	RC10T4.1 FT Kit	1
7027	SC10 2WD Short Course Race Truck Kit	1
7029	SC10 Associated/RC10.com Truck RTR (ready-to-run)	1
7030	SC10 KMC Wheels Race Truck RTR (ready-to-run)	1
7032	SC10 Ready Lift RTR (ready-to-run)	1
7034	SC10 FT Kit	1
7036	RC10T4.1 RTR 2.4GHz Brushed (ready-to-run)	1
7037	RC10T4.1 RTR 2.4GHz Brushless (ready-to-run)	1
7040	SC10 RTR, 2.4ghz Brushless Lucas Oil Body	1
7041	SC10 RTR, 2.4ghz Brushless Speed Tech/Bully Dog Body	1
7043	SC10 RTR, 2.4ghz Brushless Pro Comp Body	1
7044	SC10 RTR, 2.4ghz Brushless Rockstar / Makita Body	1
7080	FT GT2 Nitro Truck Kit	1
7092	GT2 RS Truck Nitro RTR (ready-to-run)	1
8021	FT RC10R5-OVAL Kit	1
9036	RC10B4.1 FT Kit	1
9038	RC10B4.1 RTR 2.4GHz Brushed (ready-to-run)	1
9039	RC10B4.1 RTR 2.4GHz Brushless (ready-to-run)	1
9061	FT B44.1 4WD Buggy Kit	1
20515	MGT 3.0 Nitro Monster Truck RTR (ready-to-run)	1
30105	FT TC5R Rubber Tire Edition 4WD Touring Car Kit	1
30106	FT TC6 4WD Touring Car Kit	1
30111	TC4 4WD Touring Car RTR (ready-to-run)	1

:: 1/8 Kits and RTR's

20503	Limited Edition MGT 4.60 Nitro RTR, w/flag body (ready-to-run)	1
20504	Limited Edition MGT 8.0 Nitro RTR, w/flag body (ready-to-run)	1
80902	FT RC8B Nitro Buggy Kit	1
80904	FT RC8Be Electric Buggy Kit	1
80905	RC8RS "Race Spec" Nitro Buggy RTR (ready-to-run)	1
80912	RC8T Championship Edition	1
80921	SC8 Short Course Race Truck, Lucas Oil Nitro RTR (ready-to-run)	1
80922	SC8 Short Course Race Truck, KMC Wheels Nitro RTR (ready-to-run)	1
80923	SC8 Short Course Race Truck, Bully Dog Nitro RTR (ready-to-run)	1
80924	SC8 Short Course Race Truck, AE Team Nitro RTR (ready-to-run)	1
80925	SC8 Short Course Race Truck, Pro Comp Nitro RTR (ready-to-run)	1
80932	SC8e Short Course Race Truck Rockstar/Makita RTR (ready-to-run)	1

:: Tools

1111	FT Turnbuckle Wrench	1
1449	Offroad Ride Height Gauge	1
1450	FT Ride Height Gauge	1
1541	FT Hex Driver Set, (7 pcs)	1
1542	FT .050" Silver Hex Driver	1
1543	FT 1/16" Black Hex Driver	1
1544	FT 1.5mm Purple Hex Driver	1
1545	FT 5/64" Blue Hex Driver	1
1546	FT 3/32" Gold Hex Driver	1
1547	FT 2.5mm Green Hex Driver	1
1548	FT 3mm Red Hex Driver	1
1551	FT Screwdriver Set	1
1553	FT Phillips Silver Screwdriver	1
1554	FT Silver Spring Hook Tool	1
1561	FT Nut Driver Set, (6 pcs)	1
1562	FT 3/16" Black Nut Driver	1
1563	FT 1/4" Red Nut Driver	1
1564	FT 5.5mm Red Nut Driver	1
1565	FT 11/32" Green Nut Driver	1
1566	FT 7.0mm Silver Nut Driver	1
1567	FT 8mm Gold Nut Driver	1
1589	FT 5/64" Blue Ball Hex Driver	1
1590	FT 3/32" Gold Ball Hex Driver	1
1592	FT Ball Hex Driver Set, (3 pcs)	1
1655	FT 8-Piece 1/4" Hex Drive Set	1
1656	FT 1/4" Hex Drive Handle, without tips	1
1657	FT 1/4" Hex Drive .050" Tip	1
1658	FT 1/4" Hex Drive 1/16" Tip	1
1659	FT 1/4" Hex Drive 5/64" - 2.0mm Tip	1
1660	FT 1/4" Hex Drive 3/32" Tip	1
1661	FT 1/4" Hex Drive 1.5mm Tip	1
1662	FT 1/4" Hex Drive 2.5mm Tip	1
1663	FT 1/4" Hex Drive 3/16" Nut Driver Tip	1
1664	FT 1/4" Hex Drive 1/4" Nut Driver Tip	1
1665	FT 1/4" Hex Drive 11/32" Nut Driver Tip	1
1666	FT 1/4" Hex Drive 5.5mm Nut Driver Tip	1
1667	FT 1/4" Hex Drive 7.0mm Nut Driver Tip	1
1668	FT 1/4" Hex Drive 8.0mm Nut Driver Tip	1
1669	FT 1/4" Hex Drive 5/64" - 2.0mm Ball End Tip	1
1670	FT 1/4" Hex Drive 3/32" Ball End Tip	1
1671	FT 1/4" Hex Drive Standard Screwdriver Tip	1
1672	FT 1/4" Hex Drive Phillips Screwdriver Tip	1
1673	FT 1/4" Hex Drive 2.5mm Ball End Tip	1
1674	FT 1/4" 5 Piece Power Tool Tips Set (5/64"-2.0mm, 1.5mm, 2.5mm, 5/64"- 2.0mm ball, 2.5mm ball)	1
1719	FT Camber + Track Width Tool	1
1737	FT Body Scissors	1
3718	12 Inch Nylon Wire Ties	12
3719	6 Inch Nylon Wire Ties	12
3720	8 Inch Nylon Wire Ties	12
3987	FT Droop Gauge	1
6429	Shock Building Tool	1
6956	Molded Tools, Set	1
7709	4 Inch Nylon Wire Ties	12
91107	13mm Shock Tools	1

:: Contact Information

**Associated Electrics, Inc.
26021 Commercentre Drive
Lake Forest, CA 92630-8853 USA
<http://www.TeamAssociated.com>
<http://www.RC10.com>
[http://twitter/Team Associated](http://twitter/TeamAssociated)
<http://bit.ly/AEonFacebook>**

call: (949) 544-7500

fax: (949) 544-7501

Check out the following web sites for all of our electric kits, current products, new releases, setup help, tips, and racing info!

www.TeamAssociated.com - www.RC10.com

:: Notes



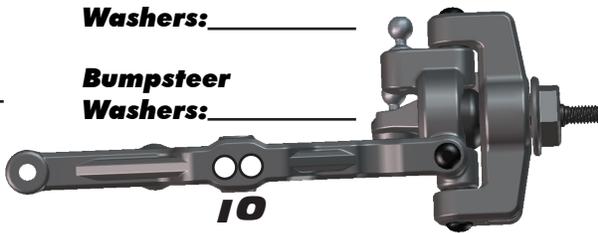
:: Notes



Front Suspension

Steering
 Stop Gap: _____

Washers: _____
 Bumpsteer
 Washers: _____



Anti Roll Bar:

- 1.5mm
- 2.0mm
- 2.2mm
- None

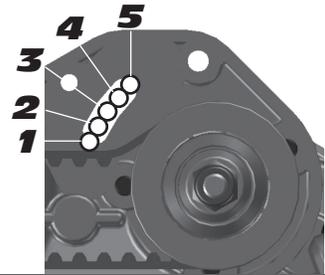


Universal
 CVA

Camber: _____

Toe: _____

Ride Height: _____



Washers: _____
 Front Pulley:
 20T (standard)
 19T (overdrive)
 Clicker:
 Full Time 4X4:

Front Shocks

Spring: _____ Piston: _____
 Shock Fluid: _____ Limiter: _____
 Rebound: _____ Bladder Emulsion

Electronics

Motor & Wind: _____
 Pinion: _____
 Spur Gear: _____
 Batteries: _____
 Battery Placement: Front Middle Back
 Other

Differentials

Front Diff Fluid: _____
 Rear Diff Fluid: _____

Front Tires

Tire: _____ Compound: _____
 Insert: _____ Wheel: _____
 Notes: _____

Race and Vehicle Comments

Qualify: _____ Main: _____ Finish: _____ TQ: _____
 Comments: _____

Rear Suspension

Wheelbase:
 Long
 Medium
 Short



Anti Roll Bar:

- 1.5mm
- 2.0mm
- 2.2mm
- None

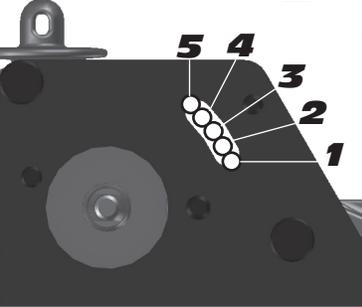


Universal
 CVA

Camber: _____

Ride Height: _____

Toe Block: 3+2
 3+3



Washers: _____
 Rear Pulley:
 20T (standard)
 19T (underdrive)
 Slipper Pad Notes: _____

Rear Shocks

Spring: _____ Piston: _____
 Shock Fluid: _____ Limiter: _____
 Rebound: _____ Bladder Emulsion

Other

Radio: _____
 Throttle / Brake e.p.a: _____
 Throttle / Brake expo: _____
 Servo: _____ Steering Expo: _____
 ESC: _____
 ESC Profile: _____

Other

Body Type: _____
 Body Notes: _____

Rear Tires

Tire: _____ Compound: _____
 Insert: _____ Wheel: _____
 Notes: _____

Track Info

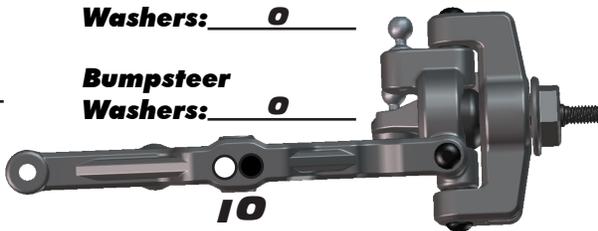
Smooth: _____ Bumpy: Blue Groove:
 Traction: High: Medium: Low:
 Soft Dirt: Grass: Clay: Wet:
 Dusty: Other: _____

Front Suspension

Steering
Stop Gap: _____

Washers: 0

Bumpsteer
Washers: 0



Anti Roll Bar:

- 1.5mm
- 2.0mm
- 2.2mm
- None

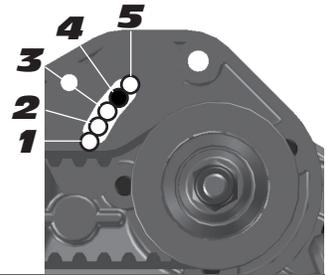


Universal CVA

Camber: -1

Toe: 0

Ride Height: 27



Washers: _____

Front Pulley:
20T (standard)
19T (overdrive)

Clicker:

Full Time 4X4:

Front Shocks

Spring: Blue 4.3 lb Piston: 1.2

Shock Fluid: 30 wt Limiter: 0

Rebound: 1/2 Bladder Emulsion

Electronics

Motor & Wind: 4.5

Pinion: 12t

Spur Gear: 62t

Batteries: _____

Battery Placement: Front Middle Back

Other _____

Differentials

Front Diff Fluid: 3000 cst

Rear Diff Fluid: 3000 cst

Front Tires

Tire: _____ Compound: _____

Insert: _____ Wheel: _____

Notes: _____

Race and Vehicle Comments

Qualify: _____ Main: _____ Finish: _____ TQ: _____

Comments: _____

Rear Suspension

Wheelbase:
Long
Medium
Short



Anti Roll Bar:

- 1.5mm
- 2.0mm
- 2.2mm
- None

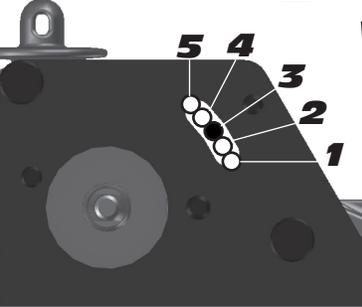


Universal CVA

Camber: -1

Ride Height: 27

Toe Block: 3+2
3+3



Washers: _____

Rear Pulley:
20T (standard)
19T (underdrive)

Slipper Pad Notes: _____

Rear Shocks

Spring: Blue 2.8 lb Piston: 1.2

Shock Fluid: 25 wt Limiter: 0

Rebound: _____ Bladder Emulsion

Other

Radio: _____

Throttle / Brake e.p.a: _____

Throttle / Brake expo: _____

Servo: _____ Steering Expo: _____

ESC: _____

ESC Profile: _____

Other

Body Type: _____

Body Notes: _____

Rear Tires

Tire: _____ Compound: _____

Insert: _____ Wheel: _____

Notes: _____

Track Info

Smooth: Bumpy: Blue Groove:

Traction: High: Medium: Low:

Soft Dirt: Grass: Clay: Wet:

Dusty: Other: _____

:: Hardware - 1:1 Scale View

Cap Head (shcs)

	2.5x5mm (91159)
	2.5x8mm (89222)
	3x6mm (25658)
	3x8mm (89223)
	3x10mm (25620)
	3x12mm (89454)
	3x14mm (25190)
	3x16mm (89224)
	3x20mm (25192)
	3x24mm (89225)
	3x26mm (89226)
	3x28mm (89227)

Nuts (lock/plain)

	M3 Locknut (25215)
	M3 Alum. Locknut, Blue (31550)
	M3 Locknut w/Flange (25612)
	FT 3mm Locknuts, Blue (25392)
	M4 Locknut (89216)
	M4 Locknut w/Flange (25217)
	FT M4 Locknuts w/Flange, Blue (25391)

Flat Head (fhcs)

	2.5x6mm (4675)
	3x8mm (25201)
	3x14mm (89208)

Ballstuds

	HD 6mm (91047)
	Ti Nitride HD 6mm (91118)
	HD 8mm (91048)
	Ti Nitride HD 8mm (91119)
	HD 10mm (91049)
	Ti Nitride HD 10mm (91120)
	HD 12mm (91050)
	Ti Nitride HD 12mm (91121)

Shims and Washers

	2.5x5mm Washer (91091)
	M3x5.6mm Washer (89528)
	3x6mm Washer (91091)
	3x8mm Washer (89218)
	Rear Hub Spacer (91037)
	Axle Shim (91043)
	Thrust Washer (91090)

Button Head (bhcs)

	2x4mm (31510)
	3x4mm (91091)
	3x6mm (31531)
	3x8mm (31532)
	3x14mm (25187)

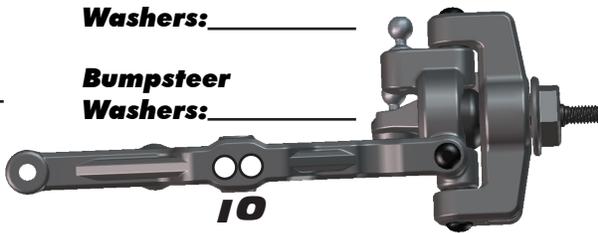
Ball Bearings

	3x8x4mm (91002)
	4x8x3mm (31402)
	5x10x3mm (91156)
	6x12x4mm (25238)
	10x16x4mm (91157)
	12x18x4mm (91155)

Front Suspension

Steering
 Stop Gap: _____

Washers: _____
 Bumpsteer
 Washers: _____



Anti Roll Bar:

1.5mm
 2.0mm
 2.2mm
 None

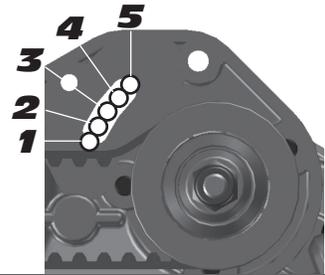


Universal
 CVA

Camber: _____

Toe: _____

Ride Height: _____



Washers: _____
 Front Pulley:
 20T (standard)
 19T (overdrive)
 Clicker:
 Full Time 4X4:

Rear Suspension

Wheelbase:
 Long
 Medium
 Short



Anti Roll Bar:

1.5mm
 2.0mm
 2.2mm
 None

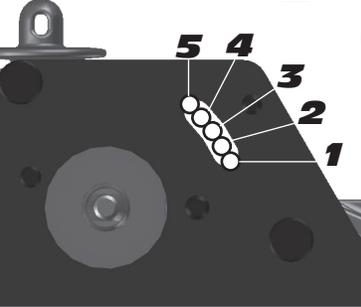


Universal
 CVA

Camber: _____

Ride Height: _____

Toe Block: 3+2
 3+3



Washers: _____
 Rear Pulley:
 20T (standard)
 19T (underdrive)
 Slipper Pad Notes: _____

Front Shocks

Spring: _____ Piston: _____
 Shock Fluid: _____ Limiter: _____
 Rebound: _____ Bladder Emulsion

Rear Shocks

Spring: _____ Piston: _____
 Shock Fluid: _____ Limiter: _____
 Rebound: _____ Bladder Emulsion

Electronics

Motor & Wind: _____
 Pinion: _____
 Spur Gear: _____
 Batteries: _____
 Battery Placement: Front Middle Back
 Other

Radio: _____
 Throttle / Brake e.p.a: _____
 Throttle / Brake expo: _____
 Servo: _____ Steering Expo: _____
 ESC: _____
 ESC Profile: _____

Differentials

Front Diff Fluid: _____
 Rear Diff Fluid: _____

Other

Body Type: _____
 Body Notes: _____

Front Tires

Tire: _____ Compound: _____
 Insert: _____ Wheel: _____
 Notes: _____

Rear Tires

Tire: _____ Compound: _____
 Insert: _____ Wheel: _____
 Notes: _____

Race and Vehicle Comments

Qualify: _____ Main: _____ Finish: _____ TQ: _____
 Comments: _____

Track Info

Smooth: Bumpy: Blue Groove:
 Traction: High: Medium: Low:
 Soft Dirt: Grass: Clay: Wet:
 Dusty: Other: _____



**Associated Electrics, Inc.
26021 Commercentre Dr.
Lake Forest, CA 92630 USA**

<http://www.TeamAssociated.com>

<https://www.RC10.com>

https://twitter/Team_Associated

<https://bit.ly/AEonFacebook>

call: (949) 544-7500 - fax: (949) 544-7501

**Check out the following web sites for all of our kits,
current products, new releases, setup help, tips, and racing info!
www.TeamAssociated.com - www.RC10.com**